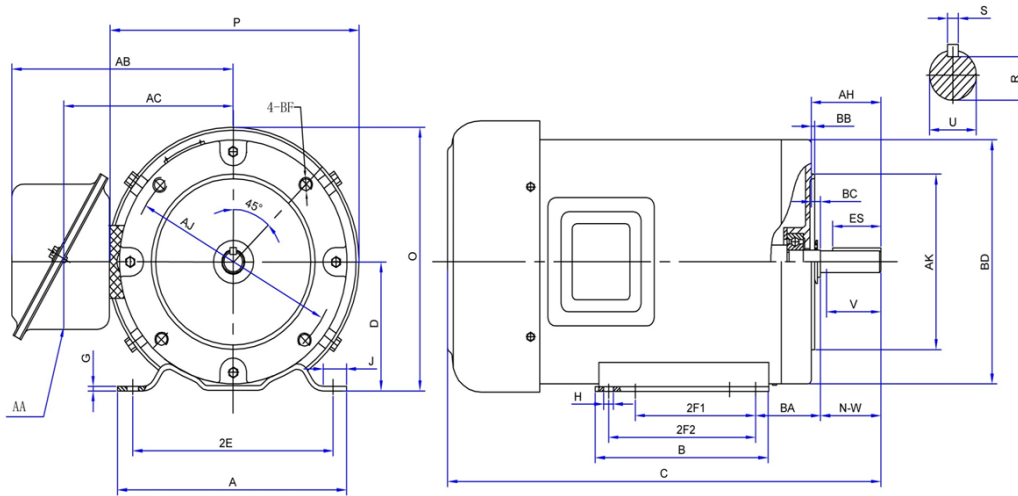


F56C1/3M2A

GENERAL PURPOSE ELECTRIC MOTOR
 HIGH EFFICIENCY / EISA COMPLIANT
 TOTALLY ENCLOSED FAN COOLED
 ROLLED STEEL CONSTRUCTION
 INVERTER RATED (10:1 VT; 5:1 CT)



DIMENSIONS

HP	RPM	Frame	MOUNTING														
			A	B	C	D	G	H	J	E	2E	2F1	2F2	O	P	T	BA
1/3	3600	56C	6.30	3.94	11.80	3.50	0.12	0.35	1.46	2.44	4.88	3.00	NA	7.00	6.97	NA	2.75

FLANGE							Shaft Extension, Key Set						
AH	AJ	AK	BB	BC	BD	BF	U	V	R	S	ES	N-W	
2.07	5.875	4.50	0.16	-0.19	6.50	3/8-16UNC	0.625	1.50	0.517	0.188	1.38	1.88	

Conduit Box		Bearings		Mount
AA	AB	DE	ODE	
0.80	6.30	6203	6203	F1

BEARING LUBRICATION: The bearings come lubricated with Mobile Polyrex EM Polyurea Grease.



ElectricalHelper.org

For All Your Electric Needs Since 1928
 411 N Platte Ave. York, NE. 68467

AC-DC MOTORS :: SALES & SERVICE
REWINDING :: CUSTOM CONTROL PANEL

Kelly MacMillan
 Office PH: 888.226.4917 Ext. 102
 Fax: 888.226.4917
 Cell: 402.679.1579
 E-Mail: kelly@electricalhelper.com



F56C1/3M2A

**GENERAL PURPOSE ELECTRIC MOTOR
HIGH EFFICIENCY / EISA COMPLIANT
TOTALLY ENCLOSED FAN COOLED
ROLLED STEEL CONSTRUCTION
INVERTER RATED (10:1 VT; 5:1 CT)**

PERFORMANCE DATA

HP	RPM	Frame	Voltage	Frequency (Hz)	Full Load S.F.	Insulation Class	NEMA Design	Slip (%)	NEMA Code	Enclosure Type	IP Rating	Max. Ambient
1/3	3515	56C	208-230/460	60HZ	1.15	F	B	2.4	P	TEFC	IP44	40°C

Amps (460V)		Efficiency (%)			Power Factor			Torque (ft-lb)			DE Bearing	ODE Bearing	Connection	Weight (lbs.)
FLA	LRA	100%	75%	50%	100%	75%	50%	FLT	LRT %	BDT %				
0.94	5.3	51.0	49.7	47.4	0.65	0.57	0.445	0.49	240	452	6203-2RZC3	6203-2RZC3	9 Lead Y	15

NAME PLATE

		GENERAL PURPOSE HIGH EFFICIENCY DESIGN TOTAL ENCLOSED FAN COOLED					
THREE PHASE ELECTRIC MOTOR							
MODEL	HP	1/3	RPM	3515	FRAME	56C	
F56C1/3M2A	ENCL	TEFC	HZ	60HZ	PHASE	3	
VOLT	208-230/460	AMPS	2.1-1.33/0.94	S.F.	1.15	DESIGN	B
S.F. AMPS	2.4-2.16/1.03	CLASS	F	CODE	P	LBS	15
DE BEARING	6203-2RZC3						
ODE BEARING	6203-2RZC3						
RATING	CONT	MAX AMB.	40°C				
SER							

APPLICATIONS:

General purpose use on pumps, fans, blowers, compressors, conveyors, material handling and other industrial machinery installed in damp, dusty or dirty environments.



ElectricalHelper.org

For All Your Electric Needs Since 1928
411 N Platte Ave. York, NE. 68467

**AC-DC MOTORS :: SALES & SERVICE
REWINDING :: CUSTOM CONTROL PANEL**

Kelly MacMillan

Office PH: 888.226.4917 Ext. 102

Fax: 888.226.4917

Cell: 402.679.1579

E-Mail: kelly@electricalhelper.com