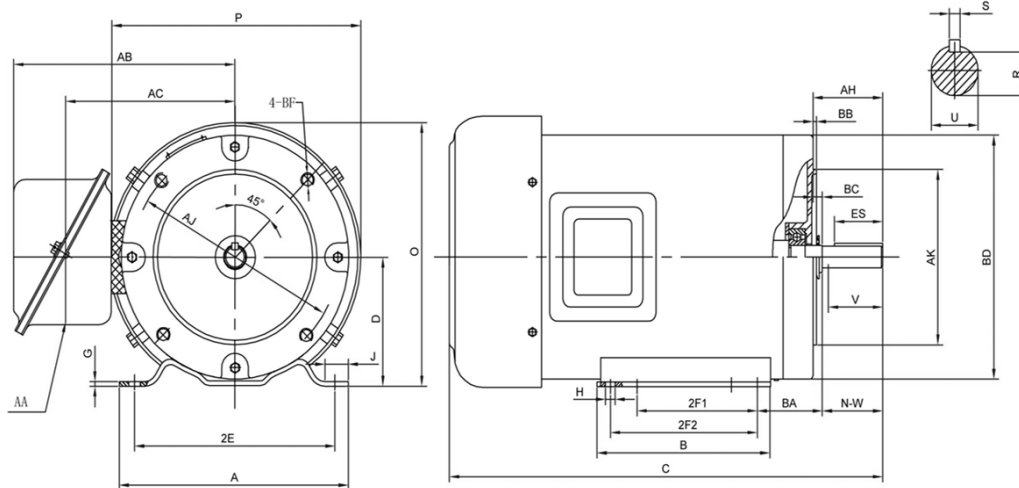


PR56C1.5M4A

**GENERAL PURPOSE ELECTRIC MOTOR
NEMA PREMIUM EFFICIENCY
TOTALLY ENCLOSED FAN COOLED
ROLLED STEEL CONSTRUCTION
INVERTER RATED (10:1 VT; 5:1 CT)**



DIMENSIONS

| HP | RPM | Frame | MOUNTING | | | | | | | | | | | | | | |
|-----|------|-------|----------|------|-------|------|------|------|------|------|------|------|-----|------|------|----|------|
| | | | A | B | C | D | G | H | J | E | 2E | 2F1 | 2F2 | O | P | T | BA |
| 1.5 | 1800 | 56C | 6.30 | 3.94 | 11.80 | 3.50 | 0.12 | 0.35 | 1.46 | 2.44 | 4.88 | 3.00 | NA | 7.00 | 6.97 | NA | 2.75 |

| FLANGE | | | | | | | Shaft Extension, Key Set | | | | | | |
|--------|-------|------|------|-------|------|-----------|--------------------------|------|-------|-------|------|------|--|
| AH | AJ | AK | BB | BC | BD | BF | U | V | R | S | ES | N-W | |
| 2.07 | 5.875 | 4.50 | 0.16 | -0.19 | 6.50 | 3/8-16UNC | 0.625 | 1.50 | 0.517 | 0.188 | 1.38 | 1.88 | |

| Conduit Box | | Bearings | | Mount |
|-------------|------|----------|------|-------|
| AA | AB | DE | ODE | |
| 0.80 | 6.30 | 6203 | 6203 | F1 |

BEARING LUBRICATION: The bearings come lubricated with Mobil Polyrex EM Polyurea Grease.



ElectricalHelper.org

For All Your Electric Needs Since 1928
411 N Platte Ave. York, NE. 68467

**AC-DC MOTORS :: SALES & SERVICE
REWINDING :: CUSTOM CONTROL PANEL**

Kelly MacMillan

Office PH: 888.226.4917 Ext. 102

Fax: 888.226.4917

Cell: 402.679.1579

E-Mail: kelly@electricalhelper.com



PR56C1.5M4A

**GENERAL PURPOSE ELECTRIC MOTOR
 NEMA PREMIUM EFFICIENCY
 TOTALLY ENCLOSED FAN COOLED
 ROLLED STEEL CONSTRUCTION
 INVERTER RATED (10:1 VT; 5:1 CT)**

PERFORMANCE DATA

| HP | RPM | Frame | Voltage | Frequency (Hz) | Full Load S.F. | Insulation Class | NEMA Design | Slip (%) | NEMA Code | Enclosure Type | IP Rating | Max. Ambient |
|-----|------|-------|-------------|----------------|----------------|------------------|-------------|----------|-----------|----------------|-----------|--------------|
| 1.5 | 1755 | 56C | 208-230/460 | 60 | 1.15 | F | B | 0.025 | M | TEFC | IP44 | 40°C |

| Amps (460V) | | Efficiency (%) | | | Power Factor | | | Torque (ft-lb) | | | DE Bearing | ODE Bearing | Connection | Weight (lbs.) |
|-------------|------|----------------|------|------|--------------|------|------|----------------|-------|-------|------------|-------------|-------------|---------------|
| FLA | LRA | 100% | 75% | 50% | 100% | 75% | 50% | FLT | LRT % | BDT % | | | | |
| 2.5 | 18.9 | 84.8 | 84.5 | 82.1 | 0.71 | 0.62 | 0.48 | 3.28 | 349 | 441 | 6203-2RZC3 | 6203-2RZC3 | 9 Lead 2Y/Y | 36 |

| NAME PLATE | | | | | | | | | |
|---|--|------------------|--|-----------|--|-----------|--|--|--|
| North American Electric, Inc. | | | | | GENERAL PURPOSE <div style="display: flex; justify-content: center; align-items: center;"> <div style="text-align: center; margin-right: 10px;"> NEMA Premium </div> <div style="text-align: center;"> TOTALLY ENCLOSED FAN COOLED </div> </div> | | | | |
| MODEL | | HP 1.5 | | RPM 1755 | | FRAME 56C | | | |
| PR56C1.5M4A | | ENCL TEFC | | HZ 60 | | PHASE 3 | | | |
| VOLT 208-230/460 | | AMPS 4.8-4.4/2.2 | | S.F. 1.15 | | DESIGN B | | | |
| S.F. AMPS 5.5-5.1/2.5 | | CLASS F | | CODE M | | LBS 36 | | | |
| DE BEARING | | 6203-2RZC3 | | | | | | | |
| ODE BEARING | | 6203-2RZC3 | | | | | | | |
| RATING CONT | | MAX AMB. 40°C | | | | | | | |
| SER | | | | | | | | | |
| <div style="display: flex; justify-content: space-around; align-items: center;"> </div> | | | | | | | | | |

APPLICATIONS:

General purpose use on pumps, fans, blowers, compressors, conveyors, material handling and other industrial machinery installed in damp, dusty or dirty environments.



ElectricalHelper.org
 For All Your Electric Needs Since 1928
 411 N Platte Ave. York, NE. 68467

**AC-DC MOTORS :: SALES & SERVICE
 REWINDING :: CUSTOM CONTROL PANEL**

Kelly MacMillan
 Office PH: 888.226.4917 Ext. 102
 Fax: 888.226.4917
 Cell: 402.679.1579
 E-Mail: kelly@electricalhelper.com