



**APE213T-7.5-4**

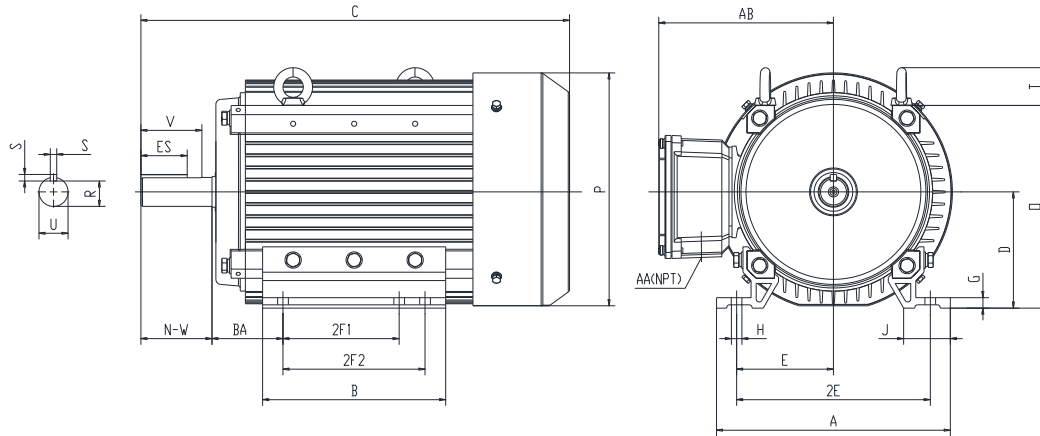
**GENERAL PURPOSE ELECTRIC MOTOR**

**NEMA PREMIUM EFFICIENCY**

**TOTALLY ENCLOSED FAN COOLED**

**INVERTER DUTY 10:1 CT; 20:1 VT - NEMA MG1 PART 31**

**Factory Certified for T2B Class I, Division II, Groups A,B,C & D and Class II, Division II, Groups F & G**



**DIMENSIONS**

HP	RPM	Frame	MOUNTING														
			A	B	C	D	G	H	J	E	2E	2F1	2F2	O	P	T	BA
7.5	1800	213T	9.8	8.1	18.2	5.25	0.45	0.41	1.55	4.25	8.5	5.5	NA	8.81	10.2	1.54	3.5

Shaft Extension, Key Set						Conduit Box		Bearings		Mount
U	V	R	S	ES	N-W	AA	AB	DE	ODE	
1.375	3.12	1.201	0.312	2.41	3.38	0.75	7.3	6208-ZZ	6208-ZZ	F1

**BEARING LUBRICATION:** The bearings come lubricated with Mobil Polyrex EM Polyurea Grease.



**Electrical Helper.org**

For All Your Electric Needs Since 1928

411 N Platte Ave. York, NE. 68467

**AC-DC MOTORS :: SALES & SERVICE  
REWINDING :: CUSTOM CONTROL PANEL**

**Kelly MacMillan**  
Office Ph: 888-226-4917  
Fax: 888-226-4917  
Cell: 402-679-1579  
E-Mail: [kelly@electricalhelper.com](mailto:kelly@electricalhelper.com)





## APE213T-7.5-4

GENERAL PURPOSE ELECTRIC MOTOR

NEMA PREMIUM EFFICIENCY

TOTALLY ENCLOSED FAN COOLED

INVERTER DUTY 10:1 CT; 20:1 VT - NEMA MG1 PART 31

Factory Certified for T2B Class I, Division II, Groups A,B,C & D and Class II, Division II, Groups F & G

### PERFORMANCE DATA

HP	RPM	Frame	Voltage	Frequency (Hz)	Full Load S.F.	Insulation Class	NEMA Design	Slip (%)	NEMA Code	Enclosure Type	IP Rating	Max. Ambient
7.5	1770	213T	230/460	60	1.15	F	B	1.7	H	TEFC	55	40 °C

Amps (460V)		Efficiency (%)			Power Factor			Torque (ft-lb)			DE Bearing	ODE Bearing	Connection	Weight (lbs.)
FLA	LRA	100%	75%	50%	100%	75%	50%	FLT	LRT %	BDT %				
9.2	63	91.7	91.7	90.2	0.80	0.74	0.63	22.51	160	270	6208-ZZ	6208-ZZ	12 Lead 2Δ/Δ	106

\*Usable at 208 Volts

### NAME PLATE

		AC INDUCTION MOTOR INVERTER DUTY 20:1 VT; 10:1 CT								CONNECTION DIAGRAMS 230V		
CAT NO. APE213T-7.5-4		FRAME 213T		PHASE 3								
HZ 60	S.F. 1.15	HZ 50	S.F. 1.0	ENCL TEFC	IP 55							
HP 7.5	RPM 1770	HP 7.5	RPM 1465	DUTY CONT	DES B							
VOLTS 230/460		VOLTS 190/380		AMB 40 °C	INS F							
AMPS 18.4/9.2		AMPS 23/11.5		DE BRG 6208-ZZ								
CODE H	P.F. 0.80	CODE G	P.F. 0.83	ODE BRG 6208-ZZ								
EFF 91.7	MIN 90.2	EFF 89.7	MIN 88.2	LUB: Mobil Polyrex EM								
MOTOR WEIGHT 106 LBS		CONNECTION 12 Lead 2Δ/Δ		SER NO								
General purpose use on industrial machinery installed in damp, dusty or dirty environments. Hernando, Mississippi						E310089		CC082A		460V 		

### APPLICATIONS:

General purpose use on pumps, fans, blowers, compressors, conveyors, material handling and other industrial machinery installed in damp, dusty or dirty environments.



**Electrical Helper.org**

For All Your Electric Needs Since 1928

411 N Platte Ave. York, NE. 68467

AC-DC MOTORS :: SALES & SERVICE  
 REWINDING :: CUSTOM CONTROL PANEL

Kelly MacMillan

Office Ph: 888-226-4917

Fax: 888-226-4917

Cell: 402-679-1579

E-Mail: [kelly@electricalhelper.com](mailto:kelly@electricalhelper.com)

