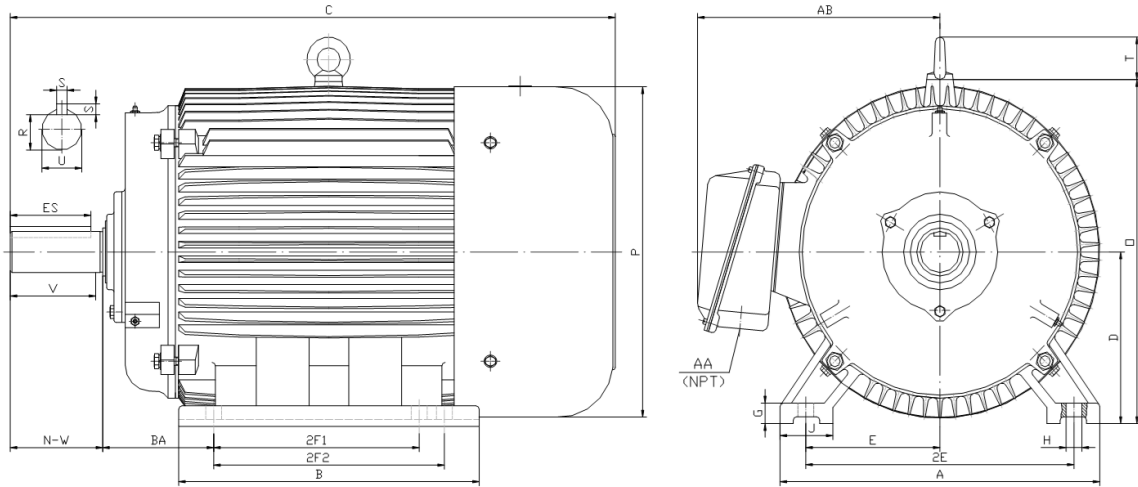




**PE145T-1.5-4**

**GENERAL PURPOSE ELECTRIC MOTOR**  
**NEMA PREMIUM EFFICIENCY**  
**TOTALLY ENCLOSED FAN COOLED**  
**INVERTER DUTY 10:1 CT; 20:1 VT - NEMA MG1 PART 31**  
 Factory Certified for T2B Class I, Division II, Groups A,B,C & D and Class II, Division II, Groups F & G



**DIMENSIONS**

HP	RPM	Frame	MOUNTING														
			A	B	C	D	G	H	J	E	2E	2F1	2F2	O	P	T	BA
1.5	1800	145T	7.00	6.20	14.60	3.50	0.50	0.34	1.40	2.75	5.50	4.00	5.00	7.10	6.95	0.00	2.25

Shaft Extension, Key Set						Conduit Box		Bearings		Mount
U	V	R	S	ES	N-W	AA	AB	DE	ODE	
0.875	2.00	0.771	0.188	1.41	2.25	0.75	6.10	6205-ZZ	6205-ZZ	F1

**BEARING LUBRICATION:** The bearings come lubricated with Mobil Polyrex EM Polyurea Grease.



**ElectricalHelper.org**  
 For All Your Electric Needs Since 1928  
 411 N Platte Ave. York, NE. 68467

**AC-DC MOTORS :: SALES & SERVICE**  
**REWINDING :: CUSTOM CONTROL PANEL**

**Kelly MacMillan**  
 Office PH: 888.226.4917 Ext. 102  
 Fax: 888.226.4917  
 Cell: 402.679.1579  
 E-Mail: [kelly@electricalhelper.com](mailto:kelly@electricalhelper.com)



**PE145T-1.5-4**

**GENERAL PURPOSE ELECTRIC MOTOR**

**NEMA PREMIUM EFFICIENCY**

**TOTALLY ENCLOSED FAN COOLED**

**INVERTER DUTY 10:1 CT; 20:1 VT - NEMA MG1 PART 31**

Factory Certified for T2B Class I, Division II, Groups A,B,C & D and Class II, Division II, Groups F & G

**PERFORMANCE DATA**

HP	RPM	Frame	Voltage	Frequency (Hz)	Full Load S.F.	Insulation Class	NEMA Design	Slip (%)	NEMA Code	Enclosure Type	IP Rating	Max. Ambient
1.5	1750	145T	208-230/460	60	1.15	F	B	2.8	M	TEFC	55	40° C

Amps (460V)		Efficiency (%)				Power Factor			Torque (ft-lb)			DE Bearing	ODE Bearing	Connection	Weight (lbs.)
FLA	LRA	100%	75%	50%	Min.	100%	75%	50%	FLT	LRT %	BDT %				
2.2	20	86.5	86.0	83.5	84.0	0.700	0.620	0.480	4.5	250	330	6205-ZZ	6205-ZZ	9 Lead 2Y/Y	50

**NAME PLATE**

										<b>CONNECTION DIAGRAMS</b>		
INVERTER DUTY 20:1 VT; 10:1 CT										208-230V   460V 		
CAT NO: PE145T-1.5-4			FRAME 145T			PHASE 3						
HZ 60	S.F. 1.15	HZ 50	S.F. 1.0	ENCL TEFC	IP 55							
HP 1.5	RPM 1750	HP 1.5	RPM 1430	DUTY CONT	DES B							
VOLTS 208-230/460		VOLTS 190/380		AMB 40° C	INS F							
FLA 4.7 - 4.4 / 2.2	FLA 5.4/2.7			DE BEARING 6205-ZZ								
CODE M	P.F. 0.70	CODE H	P.F. 0.75	ODE BEARING 6205-ZZ								
EFF 86.5	MIN 84.0	EFF 84	MIN 81.5	LUB: Mobil Polyrex EM								
MOTOR WEIGHT 50 LBS		CONNECTION 9 Lead 2Y/Y			SER NO							
General purpose use on industrial machinery installed in damp, dusty or dirty environments.												

**APPLICATIONS:**

General purpose use on pumps, fans, blowers, compressors, conveyors, material handling and other industrial machinery installed in damp, dusty or dirty environments.



**ElectricalHelper.org**

For All Your Electric Needs Since 1928

411 N Platte Ave. York, NE. 68467

**AC-DC MOTORS :: SALES & SERVICE**

**REWINDING :: CUSTOM CONTROL PANEL**

**Kelly MacMillan**

**Office PH: 888.226.4917 Ext. 102**

**Fax: 888.226.4917**

**Cell: 402.679.1579**

**E-Mail: kelly@electricalhelper.com**