



## PE213T-3-6

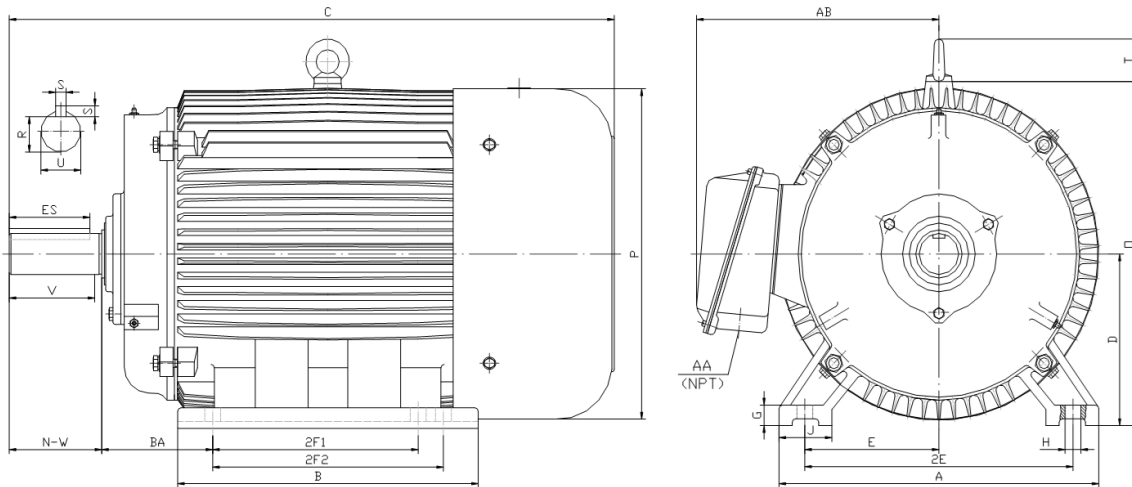
GENERAL PURPOSE ELECTRIC MOTOR

NEMA PREMIUM EFFICIENCY

TOTALLY ENCLOSED FAN COOLED

INVERTER DUTY 10:1 CT; 20:1 VT - NEMA MG1 PART 31

Factory Certified for T2B Class I, Division II, Groups A,B,C & D and Class II, Division II, Groups F & G



### DIMENSIONS

HP	RPM	Frame	MOUNTING														
			A	B	C	D	G	H	J	E	2E	2F1	2F2	O	P	T	BA
3	1200	213T	11.00	7.90	18.90	5.25	0.70	0.41	2.40	4.25	8.50	5.50	0.00	11.20	11.60	1.90	3.50

Shaft Extension, Key Set						Conduit Box		Bearings		Mount
U	V	R	S	ES	N-W	AA	AB	DE	ODE	
1.375	3.12	1.201	0.312	2.41	3.38	1.00	9.00	6308-ZZ	6308-ZZ	F1

**BEARING LUBRICATION:** The bearings come lubricated with Mobil Polyrex EM Polyurea Grease.



**ElectricalHelper.org**

For All Your Electric Needs Since 1928  
411 N Platte Ave. York, NE. 68467

**AC-DC MOTORS :: SALES & SERVICE**  
**REWINDING :: CUSTOM CONTROL PANEL**

**Kelly MacMillan**  
Office PH: 888.226.4917 Ext. 102  
Fax: 888.226.4917  
Cell: 402.679.1579  
E-Mail: [kelly@electricalhelper.com](mailto:kelly@electricalhelper.com)



**PE213T-3-6**

**GENERAL PURPOSE ELECTRIC MOTOR**

**NEMA PREMIUM EFFICIENCY**

**TOTALLY ENCLOSED FAN COOLED**

**INVERTER DUTY 10:1 CT; 20:1 VT - NEMA MG1 PART 31**

Factory Certified for T2B Class I, Division II, Groups A,B,C & D and Class II, Division II, Groups F & G

**PERFORMANCE DATA**

HP	RPM	Frame	Voltage	Frequency (Hz)	Full Load S.F.	Insulation Class	NEMA Design	Slip (%)	NEMA Code	Enclosure Type	IP Rating	Max. Ambient
3	1185	213T	208-230/460	60	1.15	F	B	1.3	K	TEFC	55	40° C

Amps (460V)		Efficiency (%)				Power Factor			Torque (ft-lb)			DE Bearing	ODE Bearing	Connection	Weight (lbs.)
FLA	LRA	100%	75%	50%	Min.	100%	75%	50%	FLT	LRT %	BDT %				
4.2	32	89.5	89.0	87.0	87.5	0.700	0.630	0.500	13.5	190	280	6308-ZZ	6308-ZZ	9 Lead 2Y/Y	146

**NAME PLATE**

<p>INVERTER DUTY 20:1 VT; 10:1 CT</p>										CONNECTION DIAGRAMS		
CAT NO: PE213T-3-6			FRAME 213T			PHASE 3			<p>208-230V</p>			
HZ 60	S.F. 1.15	HZ 50	S.F. 1.0	ENCL TEFC	IP 55							
HP 3	RPM 1185	HP 3	RPM 980	DUTY CONT	DES B	<p>460V</p>						
VOLTS 208-230/460	VOLTS 190/380	AMB 40° C	INS F									
FLA 9.2 - 8.4 / 4.2	FLA 10.4/5.2	DE BEARING 6308-ZZ										
CODE K	P.F. 0.70	CODE H	P.F. 0.75	ODE BEARING 6308-ZZ								
EFF 89.5	MIN 87.5	EFF 85.5	MIN 83.5	LUB: Mobil Polyrex EM								
MOTOR WEIGHT 146 LBS	CONNECTION 9 Lead 2Y/Y			SER NO								
<p>General purpose use on industrial machinery installed in damp, dusty or dirty environments.</p> <p>CC 082A</p>												

**APPLICATIONS:**

General purpose use on pumps, fans, blowers, compressors, conveyors, material handling and other industrial machinery installed in damp, dusty or dirty environments.



**ElectricalHelper.org**

For All Your Electric Needs Since 1928

411 N Platte Ave. York, NE. 68467

**AC-DC MOTORS :: SALES & SERVICE**

**REWINDING :: CUSTOM CONTROL PANEL**

**Kelly MacMillan**

Office PH: 888.226.4917 Ext. 102

Fax: 888.226.4917

Cell: 402.679.1579

E-Mail: [kelly@electricalhelper.com](mailto:kelly@electricalhelper.com)