

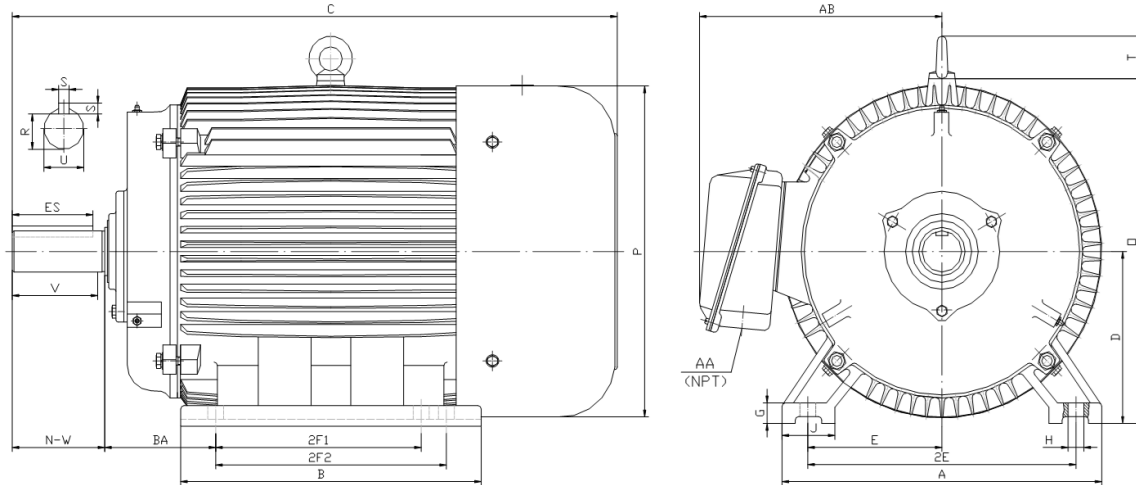


PE215T-5-6

**GENERAL PURPOSE ELECTRIC MOTOR
NEMA PREMIUM EFFICIENCY
TOTALLY ENCLOSED FAN COOLED**

INVERTER DUTY 10:1 CT; 20:1 VT - NEMA MG1 PART 31

Factory Certified for T2B Class I, Division II, Groups A,B,C & D and Class II, Division II, Groups F & G



DIMENSIONS

HP	RPM	Frame	MOUNTING														
			A	B	C	D	G	H	J	E	2E	2F1	2F2	O	P	T	BA
5	1200	215T	11.00	9.40	20.40	5.25	0.70	0.41	2.40	4.25	8.50	5.50	7.00	11.20	11.60	1.90	3.50

Shaft Extension, Key Set						Conduit Box		Bearings		Mount
U	V	R	S	ES	N-W	AA	AB	DE	ODE	
1.375	3.12	1.201	0.312	2.41	3.38	1.00	9.00	6308-ZZ	6308-ZZ	F1

BEARING LUBRICATION: The bearings come lubricated with Mobil Polyrex EM Polyurea Grease.



ElectricalHelper.org

For All Your Electric Needs Since 1928
411 N Platte Ave. York, NE. 68467

**AC-DC MOTORS :: SALES & SERVICE
REWINDING :: CUSTOM CONTROL PANEL**

Kelly MacMillan
Office PH: 888.226.4917 Ext. 102
Fax: 888.226.4917
Cell: 402.679.1579
E-Mail: kelly@electricalhelper.com



PE215T-5-6

**GENERAL PURPOSE ELECTRIC MOTOR
 NEMA PREMIUM EFFICIENCY
 TOTALLY ENCLOSED FAN COOLED
 INVERTER DUTY 10:1 CT; 20:1 VT - NEMA MG1 PART 31
 Factory Certified for T2B Class I, Division II, Groups A,B,C & D and Class II, Division II, Groups F & G**

PERFORMANCE DATA

HP	RPM	Frame	Voltage	Frequency (Hz)	Full Load S.F.	Insulation Class	NEMA Design	Slip (%)	NEMA Code	Enclosure Type	IP Rating	Max. Ambient
5	1180	215T	208-230/460	60	1.15	F	B	1.7	J	TEFC	55	40° C

Amps (460V)		Efficiency (%)				Power Factor			Torque (ft-lb)			DE Bearing	ODE Bearing	Connection	Weight (lbs.)
FLA	LRA	100%	75%	50%	Min.	100%	75%	50%	FLT	LRT %	BDT %				
7.1	46	89.5	89.0	87.5	87.5	0.730	0.660	0.540	22.5	190	280	6308-ZZ	6308-ZZ	9 Lead 2Y/Y	151

NAME PLATE

										CONNECTION DIAGRAMS		
INVERTER DUTY 20:1 VT; 10:1 CT										208-230V		
CAT NO: PE215T-5-6		FRAME 215T			PHASE 3							
HZ 60	S.F. 1.15	HZ 50	S.F. 1.0	ENCL TEFC	IP 55							
HP 5	RPM 1180	HP 5	RPM 980	DUTY CONT	DES B							
VOLTS 208-230/460		VOLTS 190/380			AMB 40° C	INS F						
FLA 15.6 - 14.2 / 7.1	FLA 16.8/8.4			DE BEARING 6308-ZZ								
CODE J	P.F. 0.73	CODE G	P.F. 0.77	ODE BEARING 6308-ZZ								
EFF 89.5	MIN 87.5	EFF 87.5	MIN 85.5	LUB: Mobil Polyrex EM								
MOTOR WEIGHT 151 LBS	CONNECTION 9 Lead 2Y/Y			SER NO						460V		
General purpose use on industrial machinery installed in damp, dusty or dirty environments.												
										CC 082A		

APPLICATIONS:

General purpose use on pumps, fans, blowers, compressors, conveyors, material handling and other industrial machinery installed in damp, dusty or dirty environments.



ElectricalHelper.org

For All Your Electric Needs Since 1928
 411 N Platte Ave. York, NE. 68467

**AC-DC MOTORS :: SALES & SERVICE
 REWINDING :: CUSTOM CONTROL PANEL**

Kelly MacMillan
 Office PH: 888.226.4917 Ext. 102
 Fax: 888.226.4917
 Cell: 402.679.1579
 E-Mail: kelly@electricalhelper.com