



## PE254T-15-2

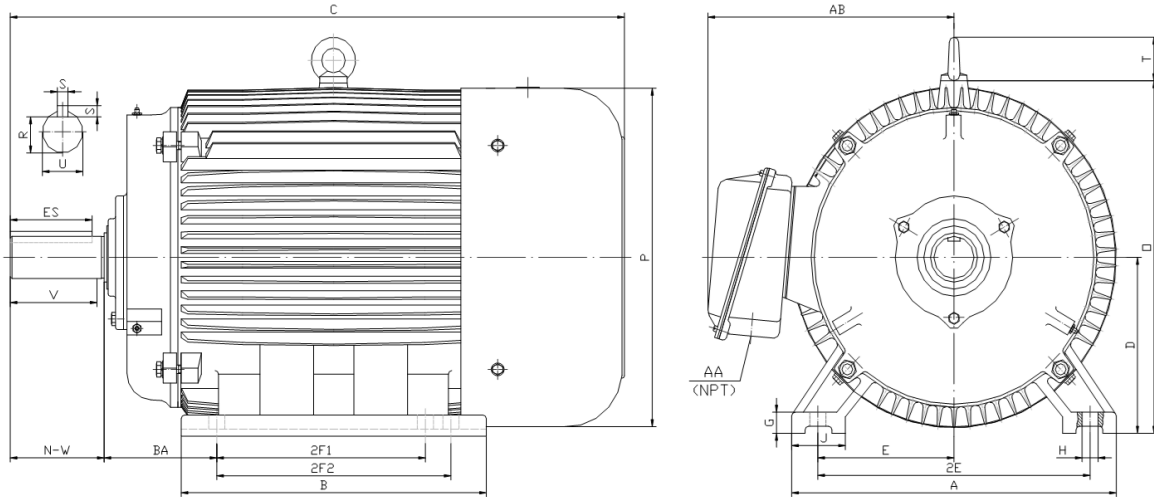
GENERAL PURPOSE ELECTRIC MOTOR

NEMA PREMIUM EFFICIENCY

TOTALLY ENCLOSED FAN COOLED

INVERTER DUTY 10:1 CT; 20:1 VT - NEMA MG1 PART 31

Factory Certified for T2B Class I, Division II, Groups A,B,C & D and Class II, Division II, Groups F & G



### DIMENSIONS

HP	RPM	Frame	MOUNTING														
			A	B	C	D	G	H	J	E	2E	2F1	2F2	O	P	T	BA
15	3600	254T	13.00	12.20	23.20	6.25	0.70	0.53	2.75	5.00	10.00	8.25	0.00	13.00	12.40	2.20	4.25

Shaft Extension, Key Set						Conduit Box		Bearings		Mount
U	V	R	S	ES	N-W	AA	AB	DE	ODE	
1.625	3.75	1.416	0.375	2.91	4.00	1.25	10.10	6309	6309	F1

**BEARING LUBRICATION:** The bearings come lubricated with Mobil Polyrex EM Polyurea Grease. It is recommended that you add some additional lubrication when the motor is installed.

Three options (brands) for suitable lubrication include, but are not limited to, the following:

- 1.) Mobil Polyrex EM
- 2.) Citco Polyurea MP
- 3.) Conoco Phillips Polytac EP

**ISO9001**  
CERTIFIED



**NEMA**  
**Premium**



**ElectricalHelper.org**

For All Your Electric Needs Since 1928

411 N Platte Ave. York, NE. 68467

**AC-DC MOTORS :: SALES & SERVICE**  
**REWINDING :: CUSTOM CONTROL PANEL**

Kelly MacMillan

Office PH: 888.226.4917 Ext. 102

Fax: 888.226.4917

Cell: 402.679.1579

E-Mail: [kelly@electricalhelper.com](mailto:kelly@electricalhelper.com)



## PE254T-15-2

GENERAL PURPOSE ELECTRIC MOTOR

NEMA PREMIUM EFFICIENCY

TOTALLY ENCLOSED FAN COOLED

INVERTER DUTY 10:1 CT; 20:1 VT - NEMA MG1 PART 31

Factory Certified for T2B Class I, Division II, Groups A,B,C & D and Class II, Division II, Groups F & G

### PERFORMANCE DATA

HP	RPM	Frame	Voltage	Frequency (Hz)	Full Load S.F.	Insulation Class	NEMA Design	Slip (%)	NEMA Code	Enclosure Type	IP Rating	Max. Ambient
15	3545	254T	208-230/460	60	1.15	F	B	1.5	G	TEFC	55	40° C

Amps (460V)		Efficiency (%)				Power Factor			Torque (ft-lb)			DE Bearing	ODE Bearing	Connection	Weight (lbs.)
FLA	LRA	100%	75%	50%	Min.	100%	75%	50%	FLT	LRT %	BDT %				
17.2	116	91.0	91.0	90.0	89.5	0.890	0.870	0.800	22.2	150	260	6309	6309	12 Lead 2Δ/Δ	260

### NAME PLATE

													CONNECTION DIAGRAMS				
INVERTER DUTY 20:1 VT; 10:1 CT										208-230V							
CAT NO:		PE254T-15-2				FRAME		254T		PHASE		3					
HZ	60	S.F.	1.15	HZ	50	S.F.	1.0	ENCL	TEFC	IP	55						
HP	15	RPM	3545	HP	15	RPM	2930	DUTY	CONT	DES	B						
VOLTS	208-230/460			VOLTS	190/380			AMB	40° C		INS	F					
FLA	36.2 - 34.4 / 17.2			FLA	42/21			DE BEARING	6309								
CODE	G	P.F.	0.89	CODE	F	P.F.	0.90	ODE BEARING	6309								
EFF	91.0	MIN	89.5	EFF	89	MIN	87.5	LUB:	Mobil Polyrex EM								
MOTOR WEIGHT	260	LBS	CONNECTION		12 Lead 2Δ/Δ		SER NO					460V					
General purpose use on industrial machinery installed in damp, dusty or dirty environments.																CC 082A	

### APPLICATIONS:

General purpose use on pumps, fans, blowers, compressors, conveyors, material handling and other industrial machinery installed in damp, dusty or dirty environments.



**ElectricalHelper.org**

For All Your Electric Needs Since 1928  
411 N Platte Ave. York, NE. 68467

AC-DC MOTORS :: SALES & SERVICE  
REWINDING :: CUSTOM CONTROL PANEL

Kelly MacMillan

Office PH: 888.226.4917 Ext. 102

Fax: 888.226.4917

Cell: 402.679.1579

E-Mail: [kelly@electricalhelper.com](mailto:kelly@electricalhelper.com)