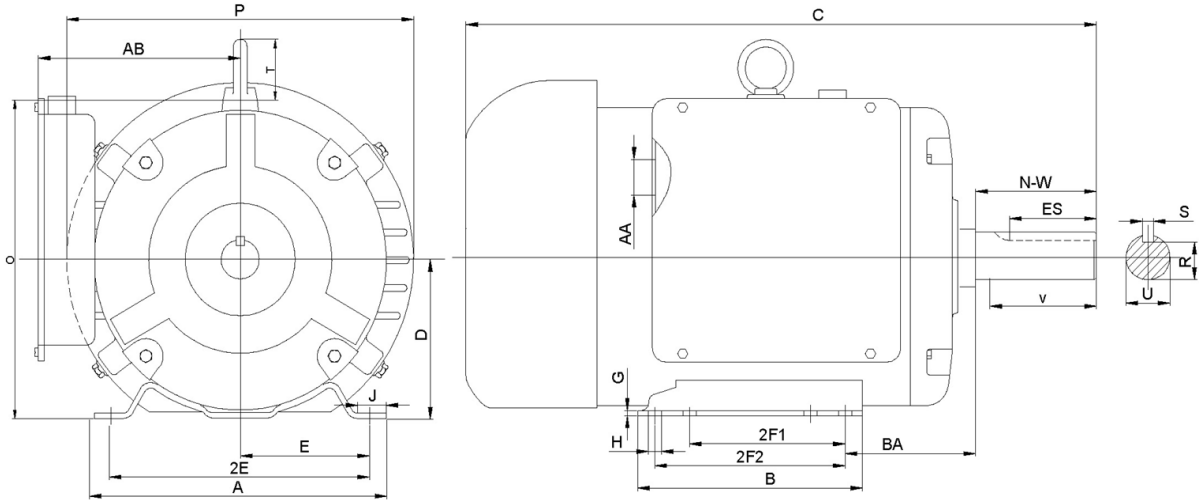


**F184T5S2C-MO**

**FARM DUTY ELECTRIC MOTOR  
 HIGH STARTING TORQUE - MANUAL OVERLOAD  
 SINGLE PHASE - CAPACITOR START / CAPACITOR RUN  
 ROLLED STEEL CONSTRUCTION  
 TOTALLY ENCLOSED FAN COOLED**



**DIMENSIONS**

| HP | RPM  | Frame | MOUNTING |     |      |     |      |      |      |      |     |     |     |      |       |      |      |
|----|------|-------|----------|-----|------|-----|------|------|------|------|-----|-----|-----|------|-------|------|------|
|    |      |       | A        | B   | C    | D   | G    | H    | J    | E    | 2E  | 2F1 | 2F2 | O    | P     | T    | BA   |
| 5  | 3600 | 184T  | 8.5      | 6.5 | 16.8 | 4.5 | 0.16 | 0.41 | 0.95 | 3.75 | 7.5 | 4.5 | 5.5 | 9.15 | 10.12 | 1.97 | 2.75 |

| Shaft Extension, Key Set |      |       |       |      |      | Conduit Box |      | Bearings   |            | Mount |
|--------------------------|------|-------|-------|------|------|-------------|------|------------|------------|-------|
| U                        | V    | R     | S     | ES   | N-W  | AA          | AB   | DE         | ODE        |       |
| 1.125                    | 2.50 | 0.986 | 0.250 | 1.78 | 2.75 | 1.1         | 6.81 | 6206-2RZC3 | 6205-2RZC3 | F1    |



**Electrical Helper.org**

For All Your Electric Needs Since 1928

411 N Platte Ave. York, NE. 68467

**AC-DC MOTORS :: SALES & SERVICE  
 REWINDING :: CUSTOM CONTROL PANEL**

Kelly MacMillan  
 Office Ph: 888-226-4917  
 Fax: 888-226-4917  
 Cell: 402-679-1579  
 E-Mail: [kelly@electricalhelper.com](mailto:kelly@electricalhelper.com)





## F184T5S2C-MO

**FARM DUTY ELECTRIC MOTOR  
HIGH STARTING TORQUE - MANUAL OVERLOAD  
SINGLE PHASE - CAPACITOR START / CAPACITOR RUN  
ROLLED STEEL CONSTRUCTION**

### PERFORMANCE DATA

| HP | RPM  | Frame | Voltage  | Frequency (Hz) | Full Load S.F. | Insulation Class | NEMA Design | Slip (%) | NEMA Code | Enclosure Type | IP Rating | Max. Ambient |
|----|------|-------|----------|----------------|----------------|------------------|-------------|----------|-----------|----------------|-----------|--------------|
| 5  | 3490 | 184T  | 230/460V | 60             | 1.15           | F                | L           | 3.1      | D         | TEFC           | IP55      | 40°C         |

| Amps (230V) |      | Efficiency (%) |      |     | Power Factor |      |      | Torque (ft-lb) |       |       | DE Bearing | ODE Bearing | Connection   | Weight (lbs.) |
|-------------|------|----------------|------|-----|--------------|------|------|----------------|-------|-------|------------|-------------|--------------|---------------|
| FLA         | LRA  | 100%           | 75%  | 50% | 100%         | 75%  | 50%  | FLT            | LRT % | BDT % |            |             |              |               |
| 20          | 99.4 | 81.2           | 80.2 | 75  | 0.99         | 0.97 | 0.92 | 7.52           | 157   | 200   | 6206-2RZC3 | 6205-2RZC3  | 5 Lead/P1,P2 | 115           |

| NAME PLATE  |            |        |  |      |            |
|---|------------|--------|--|------|------------|
|   |            |        | <b>FARM DUTY</b><br>HIGH STARTING TORQUE<br>MANUAL OVERLOAD PROTECTION<br>SINGLE PHASE ELECTRIC MOTOR<br>TOTALLY ENCLOSED FAN COOLED |      |            |
| MODEL   | HP         | 5      | RPM  | 3490 | FRAME 184T |
| F184T5S2C-MO  | ENCL       | TEFC   | HZ   | 60   | PHASE 1    |
| VOLT  | 230/460V   | AMPS   | 20/10  | S.F. | 1.15       |
| S.F. AMPS   | 23/11.5    | CLASS  | F  | CODE | D          |
| DESIGN  | L          | LBS    | 115  |      |            |
| DE BEARING  | 6206-2RZC3 |        |  |      |            |
| ODE BEARING   | 6205-2RZC3 |        |  |      |            |
| MAX AMB.  | 40°C       | RATING | CONT   |      |            |
| SER   |            |        |  |      |            |
|   |            |        |  |      |            |
| General purpose use on equipment and farm duty machinery requiring high starting torques. |            |        |  |      |            |
|   |            |        |  |      |            |
| Hernando, Mississippi   |            |        |  |      |            |

#### APPLICATIONS:

General purpose use on pumps, fans, conveyors, poultry equipment, air compressors and other farm duty machinery requiring high starting torques.

**Electrical Helper.org**  
 For All Your Electric Needs Since 1928  
 411 N Platte Ave. York, NE. 68467

**AC-DC MOTORS :: SALES & SERVICE  
REWINDING :: CUSTOM CONTROL PANEL**

**Kelly MacMillan**  
 Office Ph: 888-226-4917  
 Fax: 888-226-4917  
 Cell: 402-679-1579  
 E-Mail: [kelly@electricalhelper.com](mailto:kelly@electricalhelper.com)

