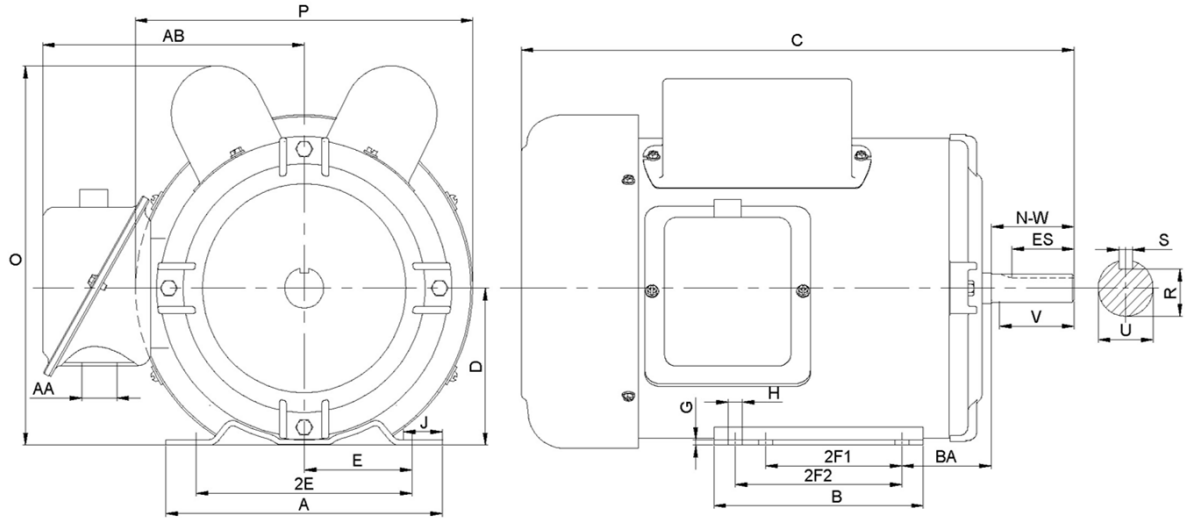




### F143T1S4C-MO

FARM DUTY ELECTRIC MOTOR  
 HIGH STARTING TORQUE - MANUAL OVERLOAD  
 SINGLE PHASE - CAPACITOR START / CAPACITOR RUN  
 ROLLED STEEL CONSTRUCTION  
 TOTALLY ENCLOSED FAN COOLED



#### DIMENSIONS

HP	RPM	Frame	MOUNTING														
			A	B	C	D	G	H	J	E	2E	2F1	2F2	O	P	T	BA
1	1800	143T	9.5	7.3	16.1	4.5	0.6	0.41	2	3.75	7.5	4.5	5.5	9.1	8.7	1.6	2.75

Shaft Extension, Key Set						Conduit Box		Bearings		Mount
U	V	R	S	ES	N-W	AA	AB	DE	ODE	
0.875	2.5	0.986	0.25	1.78	2.75	0.75	7.5	6205-2RZC3	6203-2RZC3	

**BEARING LUBRICATION:** The bearings come lubricated with Mobil Polyrex EM Polyurea Grease.



**ElectricalHelper.org**

For All Your Electric Needs Since 1928  
 411 N Platte Ave. York, NE. 68467

**AC-DC MOTORS :: SALES & SERVICE**  
**REWINDING :: CUSTOM CONTROL PANEL**

**Kelly MacMillan**  
**Office PH: 888.226.4917 Ext. 102**  
**Fax: 888.226.4917**  
**Cell: 402.679.1579**  
**E-Mail: kelly@electricalhelper.com**



# F143T1S4C-MO

**FARM DUTY ELECTRIC MOTOR**  
**HIGH STARTING TORQUE - MANUAL OVERLOAD**  
**SINGLE PHASE - CAPACITOR START / CAPACITOR RUN**  
**ROLLED STEEL CONSTRUCTION**

## PERFORMANCE DATA

HP	RPM	Frame	Voltage	Frequency (Hz)	Full Load S.F.	Insulation Class	NEMA Design	Slip (%)	NEMA Code	Enclosure Type	IP Rating	Max. Ambient
1	1750	143T	115/208-230V	60	1.15	F	L	2.8	K	TEFC	IP44	40°C

Amps (230V)		Efficiency (%)			Power Factor			Torque (ft-lb)			DE Bearing	ODE Bearing	Connection	Weight (lbs.)
FLA	LRA	100%	75%	50%	100%	75%	50%	FLT	LRT %	BDT %	6205-2RZC3	6203-2RZC3	5 Lead/P1,P2	36
4.78	34.5	71.7	72	64	0.94	0.92	0.89	4.06	286	232				

<b>NAME PLATE</b>							
<b>North American Electric, Inc.</b>				<b>FARM DUTY</b> <b>HIGH STARTING TORQUE</b> <b>MANUAL OVERLOAD PROTECTION</b> <b>TOTALLY ENCLOSED FAN COOLED</b>			
<b>SINGLE PHASE ELECTRIC MOTOR</b>							
MODEL	HP	1	RPM	1750	FRAME	143T	
F143T1S4C-MO	ENCL	TEFC	HZ	60	PHASE	1	
VOLT	115/208-230V	AMPS	9.3/5.18-4.78	S.F.	1.15	DESIGN	L
S.F. AMPS	10.2/6-5.4	CLASS	F	CODE	K	LBS	36
DE BEARING		6205-2RZC3					
ODE BEARING		6203-2RZC3					
MAX AMB.	40°C	RATING	CONT				
SER							
General purpose use on equipment and farm duty machinery requiring high starting torques.							

<p style="font-size: x-small; margin: 0;">115V LOW VOLTAGE</p> <p style="font-size: x-small; margin: 0;">L1</p> <p style="font-size: x-small; margin: 0;">L2</p>	<p style="font-size: x-small; margin: 0;">208-230V HIGH VOLTAGE</p> <p style="font-size: x-small; margin: 0;">L1</p> <p style="font-size: x-small; margin: 0;">L2</p>	<p style="font-size: x-small; margin: 0;">CCW</p> <p style="font-size: x-small; margin: 0;">CW</p>
--	---	--

### APPLICATIONS:

General purpose use on pumps, fans, conveyors, poultry equipment, air compressors and other farm duty machinery requiring high starting torques.



**ElectricalHelper.org**

For All Your Electric Needs Since 1928  
 411 N Platte Ave. York, NE. 68467

**AC-DC MOTORS :: SALES & SERVICE**  
**REWINDING :: CUSTOM CONTROL PANEL**

**Kelly MacMillan**  
**Office PH: 888.226.4917 Ext. 102**  
**Fax: 888.226.4917**  
**Cell: 402.679.1579**  
**E-Mail: [kelly@electricalhelper.com](mailto:kelly@electricalhelper.com)**