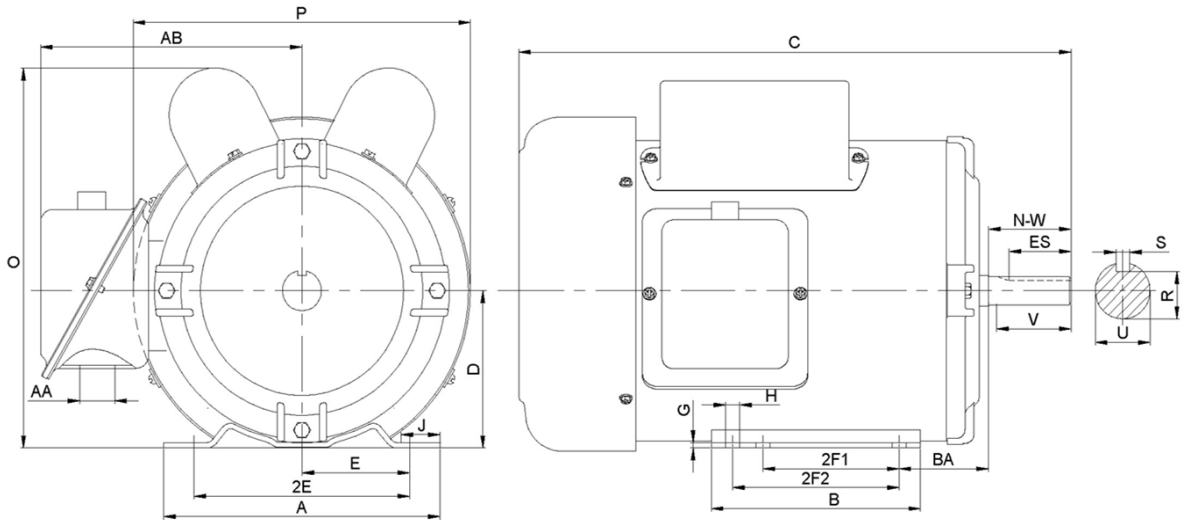




F145T1.5S4C-MO

FARM DUTY ELECTRIC MOTOR
 HIGH STARTING TORQUE - MANUAL OVERLOAD
 SINGLE PHASE - CAPACITOR START / CAPACITOR RUN
 ROLLED STEEL CONSTRUCTION
 TOTALLY ENCLOSED FAN COOLED



DIMENSIONS

HP	RPM	Frame	MOUNTING														
			A	B	C	D	G	H	J	E	2E	2F1	2F2	O	P	T	BA
1.5	1800	145T	9.5	7.3	16.1	4.5	0.6	0.41	2	3.75	7.5	4.5	5.5	9.1	8.7	1.6	2.75

Shaft Extension, Key Set						Conduit Box		Bearings		Mount
U	V	R	S	ES	N-W	AA	AB	DE	ODE	
0.875	2.5	0.986	0.25	1.78	2.75	0.75	7.5	6205-2RZC3	6203-2RZC3	

BEARING LUBRICATION: The bearings come lubricated with Mobil Polyrex EM Polyurea Grease.



ElectricalHelper.org

For All Your Electric Needs Since 1928
 411 N Platte Ave. York, NE. 68467

AC-DC MOTORS :: SALES & SERVICE
REWINDING :: CUSTOM CONTROL PANEL

Kelly MacMillan
 Office PH: 888.226.4917 Ext. 102
 Fax: 888.226.4917
 Cell: 402.679.1579
 E-Mail: kelly@electricalhelper.com



F145T1.5S4C-MO

FARM DUTY ELECTRIC MOTOR
HIGH STARTING TORQUE - MANUAL OVERLOAD
SINGLE PHASE - CAPACITOR START / CAPACITOR RUN
ROLLED STEEL CONSTRUCTION

PERFORMANCE DATA

HP	RPM	Frame	Voltage	Frequency (Hz)	Full Load S.F.	Insulation Class	NEMA Design	Slip (%)	NEMA Code	Enclosure Type	IP Rating	Max. Ambient
1.5	1750	145T	115/208-230V	60	1.15	F	L	2.8	J	TEFC	IP44	40°C

Amps (230V)		Efficiency (%)			Power Factor			Torque (ft-lb)			DE Bearing	ODE Bearing	Connection	Weight (lbs.)
FLA	LRA	100%	75%	50%	100%	75%	50%	FLT	LRT %	BDT %				
6.6	49.0	77	71.8	63.2	0.95	0.93	0.9	4.5	260	241	6205-2RZC3	6203-2RZC3	5 Lead/P1,P2	45

NAME PLATE							
			FARM DUTY HIGH STARTING TORQUE MANUAL OVERLOAD PROTECTION TOTALLY ENCLOSED FAN COOLED				
SINGLE PHASE ELECTRIC MOTOR							
MODEL	HP	1.5	RPM	1750	FRAME	145T	
F145T1.5S4C-MO	ENCL	TEFC	HZ	60	PHASE	1	
VOLT	115/208-230V	AMPS	6.6	S.F.	1.15	DESIGN	L
S.F. AMPS	15/8.3-7.6	CLASS	F	CODE	J	LBS	45
DE BEARING		6205-2RZC3					
ODE BEARING		6203-2RZC3					
MAX AMB.	40°C	RATING	CONT				
SER							
General purpose use on equipment and farm duty machinery requiring high starting torques.							
Hernando, Mississippi							

<p style="font-size: x-small; margin: 0;">115V LOW VOLTAGE</p> <p style="font-size: x-small; margin: 0;">L1 L2</p>	<p style="font-size: x-small; margin: 0;">208-230V HIGH VOLTAGE</p> <p style="font-size: x-small; margin: 0;">L1 L2</p>	
--	---	--

APPLICATIONS:

General purpose use on pumps, fans, conveyors, poultry equipment, air compressors and other farm duty machinery requiring high starting torques.



ElectricalHelper.org
 For All Your Electric Needs Since 1928
 411 N Platte Ave. York, NE. 68467

AC-DC MOTORS :: SALES & SERVICE
REWINDING :: CUSTOM CONTROL PANEL

Kelly MacMillan
 Office PH: 888.226.4917 Ext. 102
 Fax: 888.226.4917
 Cell: 402.679.1579
 E-Mail: kelly@electricalhelper.com