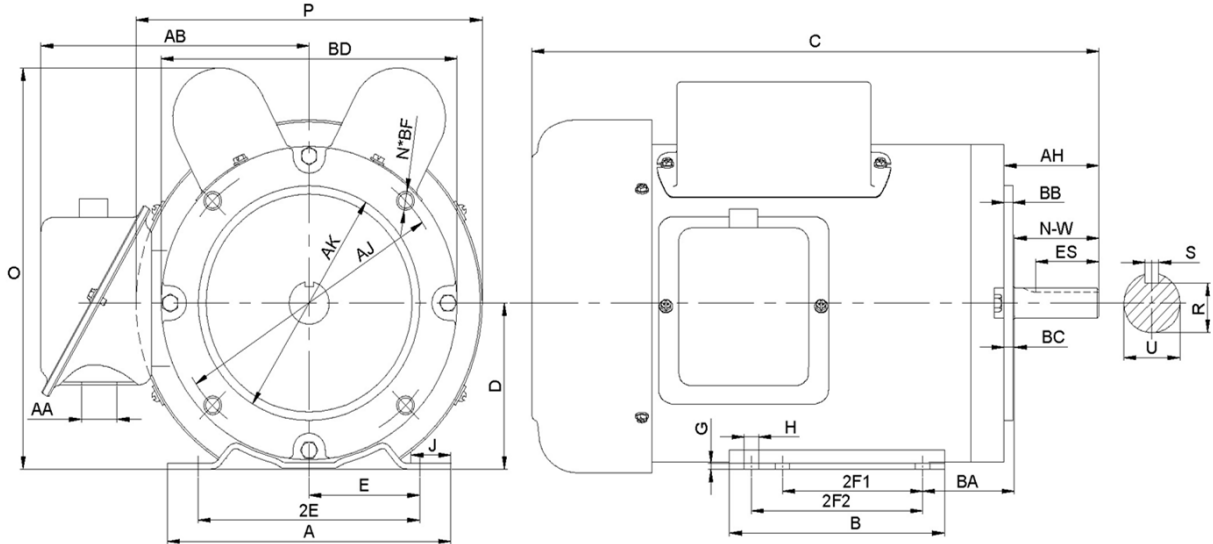




F56C1S4C-MO

FARM DUTY ELECTRIC MOTOR
 HIGH STARTING TORQUE - MANUAL OVERLOAD
 SINGLE PHASE - CAPACITOR START / CAPACITOR RUN
 ROLLED STEEL CONSTRUCTION
 TOTALLY ENCLOSED FAN COOLED



DIMENSIONS

HP	RPM	Frame	MOUNTING														
			A	B	C	D	G	H	J	E	2E	2F1	2F2	O	P	T	BA
1	1800	56C	6.3	3.94	14.57	3.5	0.12	0.34	1.46	2.44	4.88	3	NA	8.46	7.01	NA	2.75

FLANGE							Shaft Extension, Key Set						
AH	AJ	AK	BB	BC	BD	BF	U	V	R	S	ES	N-W	
2.06	5.875	4.5	0.16	0.19	6.5	4*3/8-16	0.625	1.5	0.517	0.188	1.41	1.88	

Conduit Box		Bearings		Mount
AA	AB	DE	ODE	
0.81	6.18	6203-2RZC3	6203-2RZC3	F1

BEARING LUBRICATION: The bearings come lubricated with Mobile Polyrex EM Polyurea Grease.



ElectricalHelper.org

For All Your Electric Needs Since 1928
 411 N Platte Ave. York, NE. 68467

AC-DC MOTORS :: SALES & SERVICE
 REWINDING :: CUSTOM CONTROL PANEL

Kelly MacMillan
 Office PH: 888.226.4917 Ext. 102
 Fax: 888.226.4917
 Cell: 402.679.1579
 E-Mail: kelly@electricalhelper.com



F56C1S4C-MO

FARM DUTY ELECTRIC MOTOR
HIGH STARTING TORQUE - MANUAL OVERLOAD
SINGLE PHASE - CAPACITOR START / CAPACITOR RUN
ROLLED STEEL CONSTRUCTION
TOTALLY ENCLOSED FAN COOLED

PERFORMANCE DATA

HP	RPM	Frame	Voltage	Frequency (Hz)	Full Load S.F.	Insulation Class	NEMA Design	Slip (%)	NEMA Code	Enclosure Type	IP Rating	Max. Ambient
1	1755	56C	115/208-230V	60	1.15	F	L	2.5	L	TEFC	IP44	40°C

Amps (230V)		Efficiency (%)			Power Factor			Torque (ft-lb)			DE Bearing	ODE Bearing	Connection	Weight (lbs.)
FLA	LRA	100%	75%	50%	100%	75%	50%	FLT	LRT %	BDT %				
5.04	38.6	75.4	68	59	0.85	0.82	0.78	4.05	278	259	6203-2RZC3	6203-2RZC3	5 Lead/P1,P2	32

NAME PLATE

		FARM DUTY HIGH STARTING TORQUE MANUAL OVERLOAD	
SINGLE PHASE ELECTRIC MOTOR			
MODEL	F56C1S4C-MO	HP	1
FRAME	56C	ENCL	TEFC
		PH	1
RPM	1755	CODE	L
		HZ	60
DESIGN	L	CLASS	F
		S.F.	1.15
DE BRG	6203-2RZC3	ODE BRG	6203-2RZC3
VOLT	115/208-230V	LBS	32
AMPS	9.7/4.89-5.04	DUTY	CONT
S.F. AMPS	10.8/6.1-5.5	MAX AMB	40°C
SERIAL NUMBER			



ElectricalHelper.org

For All Your Electric Needs Since 1928
 411 N Platte Ave. York, NE. 68467

AC-DC MOTORS :: SALES & SERVICE
REWINDING :: CUSTOM CONTROL PANEL

Kelly MacMillan
Office PH: 888.226.4917 Ext. 102
Fax: 888.226.4917
Cell: 402.679.1579
E-Mail: kelly@electricalhelper.com