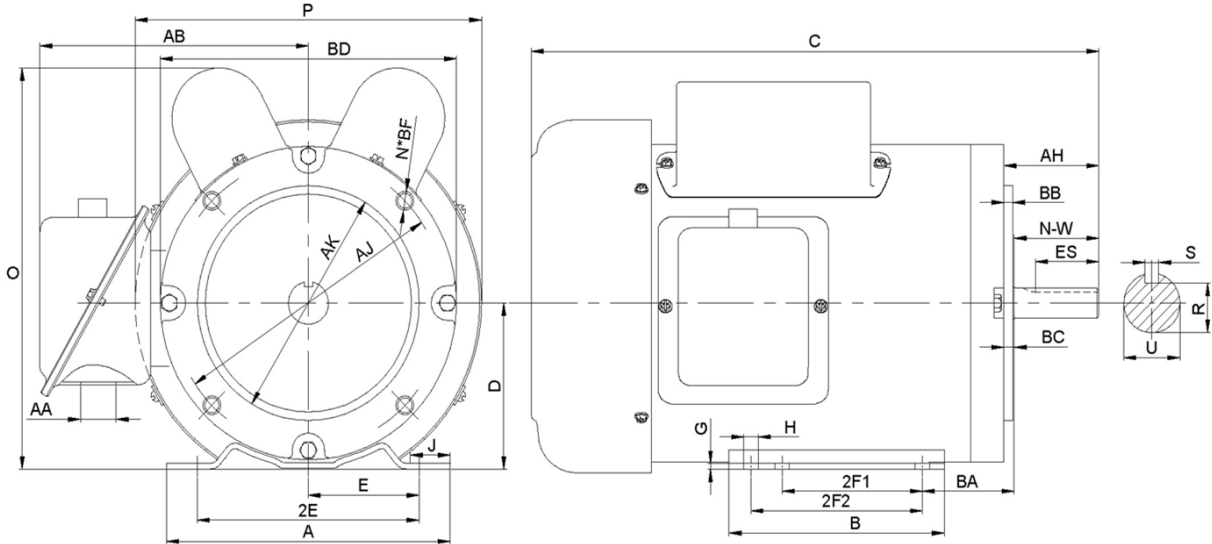




F56CH1.5S4C-MO

FARM DUTY ELECTRIC MOTOR
 HIGH STARTING TORQUE - MANUAL OVERLOAD
 SINGLE PHASE - CAPACITOR START / CAPACITOR RUN
 ROLLED STEEL CONSTRUCTION
 TOTALLY ENCLOSED FAN COOLED



DIMENSIONS

HP	RPM	Frame	MOUNTING														
			A	B	C	D	G	H	J	E	2E	2F1	2F2	O	P	T	BA
1.5	1800	56CH	6.5	6.5	14.57	3.5	0.12	0.34	1.06	2.44	4.88	3	5	8.46	7.01	NA	2.75

FLANGE							Shaft Extension, Key Set					
AH	AJ	AK	BB	BC	BD	BF	U	V	R	S	ES	N-W
2.06	5.875	4.5	0.16	0.19	6.5	4*3/8-16	0.625	1.5	0.517	0.188	1.41	1.88

Conduit Box		Bearings		Mount
AA	AB	DE	ODE	
0.81	6.18	6203-2RZC3	6203-2RZC3	

BEARING LUBRICATION: The bearings come lubricated with Mobile Polyrex EM Polyurea Grease.



ElectricalHelper.org

For All Your Electric Needs Since 1928
 411 N Platte Ave. York, NE. 68467

AC-DC MOTORS :: SALES & SERVICE
 REWINDING :: CUSTOM CONTROL PANEL

Kelly MacMillan
 Office PH: 888.226.4917 Ext. 102
 Fax: 888.226.4917
 Cell: 402.679.1579
 E-Mail: kelly@electricalhelper.com



F56CH1.5S4C-MO

FARM DUTY ELECTRIC MOTOR
HIGH STARTING TORQUE - MANUAL OVERLOAD
SINGLE PHASE - CAPACITOR START / CAPACITOR RUN
ROLLED STEEL CONSTRUCTION
TOTALLY ENCLOSED FAN COOLED

PERFORMANCE DATA

HP	RPM	Frame	Voltage	Frequency (Hz)	Full Load S.F.	Insulation Class	NEMA Design	Slip (%)	NEMA Code	Enclosure Type	IP Rating	Max. Ambient
1.5	1750	56CH	115/208-230V	60	1.15	F	L	2.8	J	TEFC	IP44	40°C

Amps (230V)		Efficiency (%)			Power Factor			Torque (ft-lb)			DE Bearing	ODE Bearing	Connection	Weight (lbs.)
FLA	LRA	100%	75%	50%	100%	75%	50%	FLT	LRT %	BDT %				
6.66	50.6	78.2	71.5	63.2	0.93	0.91	0.88	6.08	249	243	6203-2RZC3	6203-2RZC3	5 Lead/P1,P2	43

NAME PLATE

North American Electric, Inc. FARM DUTY																							
SINGLE PHASE ELECTRIC MOTOR			HIGH STARTING TORQUE MANUAL OVERLOAD																				
MODEL	F56CH1.5S4C-MO		HP	1.5																			
FRAME	56CH	ENCL	TEFC	PH	1																		
RPM	1750	CODE	J	HZ	60																		
DESIGN	L	CLASS	F	S.F.	1.15																		
DE BRG	6203-2RZC3		ODE BRG	6203-2RZC3																			
VOLT	115/208-230V		LBS	43																			
AMPS	13.63/7.09-6.66		DUTY	CONT																			
S.F. AMPS	15.4/8.3-7.5		MAX AMB	40°C																			
SERIAL NUMBER																							
<table style="width: 100%; border-collapse: collapse;"> <tr> <td style="text-align: center; width: 50%;"> 115V LOW VOLTAGE </td> <td style="text-align: center; width: 50%;"> 208-230V HIGH VOLTAGE </td> </tr> <tr> <td style="text-align: center;"> CCW L1 CW </td> <td style="text-align: center;"> CCW L1 CW </td> </tr> <tr> <td style="text-align: center;"> (P1) ——— L1 ——— (P1) </td> <td style="text-align: center;"> (P1) ——— L1 ——— (P1) </td> </tr> <tr> <td style="text-align: center;"> (P2) ——— L2 ——— (P2) </td> <td style="text-align: center;"> (P2) ——— L1 ——— (P2) </td> </tr> <tr> <td style="text-align: center;"> (T3) ——— L2 ——— (T3) </td> <td style="text-align: center;"> (T3) ——— L1 ——— (T3) </td> </tr> <tr> <td style="text-align: center;"> (T8) ——— L2 ——— (T8) </td> <td style="text-align: center;"> (T8) ——— L1 ——— (T8) </td> </tr> <tr> <td style="text-align: center;"> (T2) ——— L2 ——— (T2) </td> <td style="text-align: center;"> (T2) ——— L2 ——— (T2) </td> </tr> <tr> <td style="text-align: center;"> (T4) ——— L2 ——— (T4) </td> <td style="text-align: center;"> (T4) ——— L2 ——— (T4) </td> </tr> <tr> <td style="text-align: center;"> (T5) ——— L2 ——— (T5) </td> <td style="text-align: center;"> (T5) ——— L2 ——— (T5) </td> </tr> </table>						115V LOW VOLTAGE	208-230V HIGH VOLTAGE	CCW L1 CW	CCW L1 CW	(P1) ——— L1 ——— (P1)	(P1) ——— L1 ——— (P1)	(P2) ——— L2 ——— (P2)	(P2) ——— L1 ——— (P2)	(T3) ——— L2 ——— (T3)	(T3) ——— L1 ——— (T3)	(T8) ——— L2 ——— (T8)	(T8) ——— L1 ——— (T8)	(T2) ——— L2 ——— (T2)	(T2) ——— L2 ——— (T2)	(T4) ——— L2 ——— (T4)	(T4) ——— L2 ——— (T4)	(T5) ——— L2 ——— (T5)	(T5) ——— L2 ——— (T5)
115V LOW VOLTAGE	208-230V HIGH VOLTAGE																						
CCW L1 CW	CCW L1 CW																						
(P1) ——— L1 ——— (P1)	(P1) ——— L1 ——— (P1)																						
(P2) ——— L2 ——— (P2)	(P2) ——— L1 ——— (P2)																						
(T3) ——— L2 ——— (T3)	(T3) ——— L1 ——— (T3)																						
(T8) ——— L2 ——— (T8)	(T8) ——— L1 ——— (T8)																						
(T2) ——— L2 ——— (T2)	(T2) ——— L2 ——— (T2)																						
(T4) ——— L2 ——— (T4)	(T4) ——— L2 ——— (T4)																						
(T5) ——— L2 ——— (T5)	(T5) ——— L2 ——— (T5)																						



ElectricalHelper.org

For All Your Electric Needs Since 1928
 411 N Platte Ave. York, NE. 68467

AC-DC MOTORS :: SALES & SERVICE
REWINDING :: CUSTOM CONTROL PANEL

Kelly MacMillan
Office PH: 888.226.4917 Ext. 102
Fax: 888.226.4917
Cell: 402.679.1579
E-Mail: kelly@electricalhelper.com