

**OWP215T-5-6**

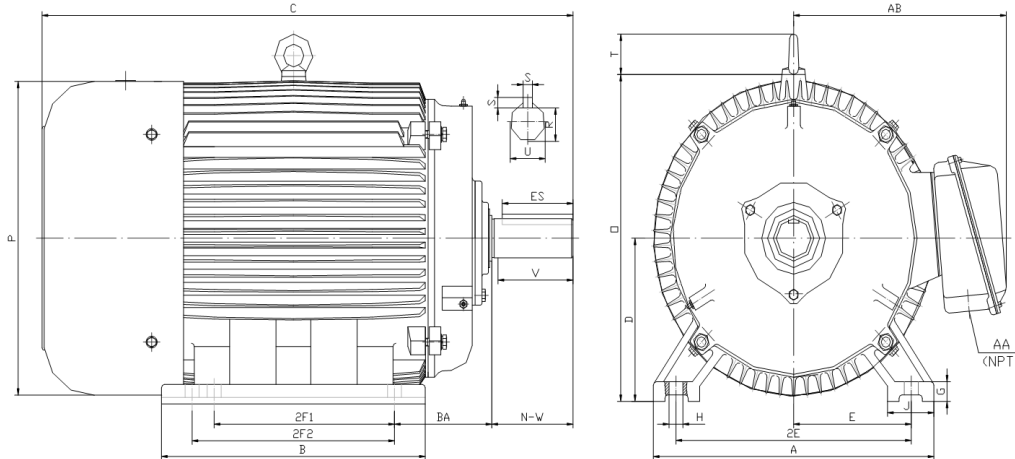
**OIL WELL PUMP MOTOR**

**HIGH TORQUE / HIGH SLIP (5 - 8%)**

**TOTALLY ENCLOSED FAN COOLED**

**INVERTER DUTY 10:1 CONSTANT TORQUE - NEMA MG1 PART 31**

Factory Certified for T2B Class I, Division II, Groups A,B,C & D and Class II, Division II, Groups F & G



**DIMENSIONS**

HP	RPM	Frame	MOUNTING														
			A	B	C	D	G	H	J	E	2E	2F1	2F2	O	P	T	BA
5	1200	215T	11.00	9.40	20.40	5.25	0.70	0.41	2.40	4.25	8.50	5.50	7.00	10.50	10.20	1.90	3.50

Shaft Extension, Key Set						Conduit Box		Bearings		Mount
U	V	R	S	ES	N-W	AA	AB	DE	ODE	
1.375	3.12	1.201	0.312	2.41	3.38	1.00	8.30	6308-ZZ	6308-ZZ	F2

**BEARING LUBRICATION:** The bearings come lubricated with Mobil Polyrex EM Polyurea Grease. It is recommended that you add some additional lubrication when the motor is installed.

Three options (brands) for suitable lubrication include, but are not limited to, the following:

- 1.) Mobil Polyrex EM
- 2.) Citco Polyurea MP
- 3.) Conoco Phillips Polytac EP



**Electrical Helper.org**

For All Your Electric Needs Since 1928  
411 N Platte Ave. York, NE. 68467

**AC-DC MOTORS :: SALES & SERVICE  
REWINDING :: CUSTOM CONTROL PANEL**

Kelly MacMillan  
Office Ph: 888-226-4917  
Fax: 888-226-4917  
Cell: 402-679-1579  
E-Mail: [kelly@electricalhelper.com](mailto:kelly@electricalhelper.com)





**OWP215T-5-6**

**OIL WELL PUMP MOTOR  
HIGH TORQUE / HIGH SLIP (5 - 8%)  
TOTALLY ENCLOSED FAN COOLED  
INVERTER DUTY 10:1 CONSTANT TORQUE - NEMA MG1 PART 31**

Factory Certified for T2B Class I, Division II, Groups A,B,C & D and Class II, Division II, Groups F & G

**PERFORMANCE DATA**

HP	RPM	Frame	Voltage	Frequency (Hz)	Full Load S.F.	Insulation Class	NEMA Design	Slip (%)	NEMA Code	Enclosure Type	IP Rating	Max. Ambient
5	1130	215T	230/460/796	60	1.15	F	D	5.8	J	TEFC	55	40° C

Amps (460V)		Efficiency (%)				Power Factor			Torque (ft-lb)			DE Bearing	DE Bearing	Connection	Weight (lbs.)
FLA	LRA	100%	75%	50%	Min.	100%	75%	50%	FLT	LRT %	BDT %				
7.5	46.0	83.5	85.0	84.0	81.5	0.75	0.67	0.52	23.3	285	315	6308-ZZ	6308-ZZ	12 Lead 2Δ/Δ/Y	156

**NAME PLATE**

<b>North American Electric, Inc. OIL WELL PUMP MOTOR</b>						<b>CONNECTION DIAGRAMS</b>								
<b>INVERTER DUTY 10:1 CONSTANT TORQUE</b>						<b>NEMA DESIGN D HIGH TORQUE/HIGH SLIP (5-8%)</b>								
CAT NO:		OWP215T-5-6		HP	5	Hz	60	PHASE	3					
VOLTS		230/460/796		FLA		15/7.5/4.4		IP RATING		55				
RPM		1130		POWER FACTOR		0.75		DESIGN		D				
FRAME		215T		NEMA NOM EFF		83.5		CODE		J				
DRIVE END BEARING		6308-ZZ		NEMA MIN EFF		81.5		S.F.		1.15				
OPP DRIVE END BEARING		6308-ZZ		MAX AMB		40° C		INS CLASS		F				
ENCL		TEFC		RATING		CONT		SER						
MOTOR WEIGHT		156 LBS		CONNECTION		12 Lead 2Δ/Δ/Y		LUB:		Mobil Polyrex EM				
Designed Specifically for use on Oil Well Pumping Units Hernando, Mississippi												CC 082A		

**APPLICATIONS:**

Designed Specifically for use on Oil Well Pumping Units. Suitable for use on Variable Frequency Drives (VFDs).

**Electrical Helper.org**  
 For All Your Electric Needs Since 1928  
 411 N Platte Ave. York, NE. 68467

**AC-DC MOTORS :: SALES & SERVICE  
REWINDING :: CUSTOM CONTROL PANEL**

**Kelly MacMillan**  
 Office Ph: 888-226-4917  
 Fax: 888-226-4917  
 Cell: 402-679-1579  
 E-Mail: [kelly@electricalhelper.com](mailto:kelly@electricalhelper.com)

