



## OWP254T-5-8

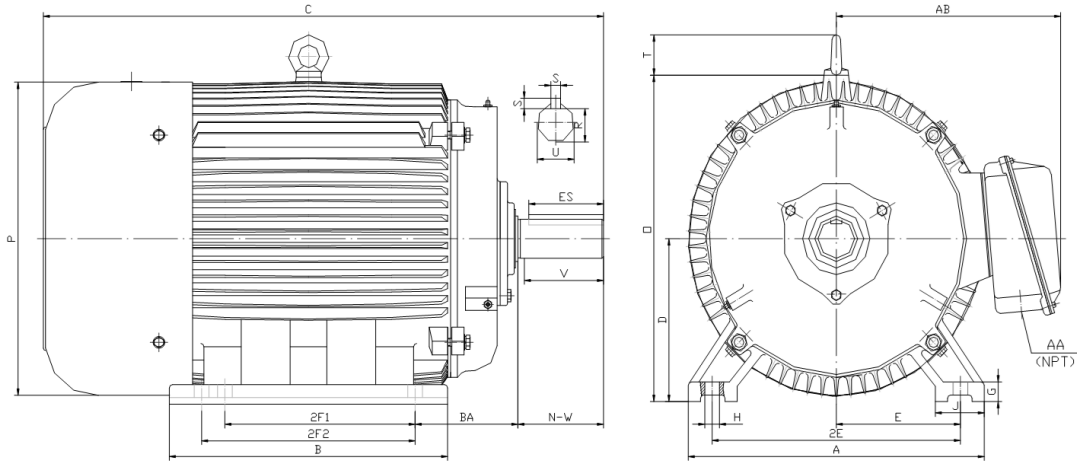
OIL WELL PUMP MOTOR

HIGH TORQUE / HIGH SLIP (5 - 8%)

TOTALLY ENCLOSED FAN COOLED

INVERTER DUTY 10:1 CONSTANT TORQUE - NEMA MG1 PART 31

Factory Certified for T2B Class I, Division II, Groups A,B,C & D and Class II, Division II, Groups F & G



### DIMENSIONS

HP	RPM	Frame	MOUNTING														
			A	B	C	D	G	H	J	E	2E	2F1	2F2	O	P	T	BA
5	855	254T	13.00	10.45	23.20	6.25	0.70	0.53	2.75	5.00	10.00	8.25	NA	13.00	12.40	2.20	4.25

Shaft Extension, Key Set						Conduit Box		Bearings		Mount
U	V	R	S	ES	N-W	AA	AB	DE	ODE	
1.625	3.75	1.416	0.375	2.91	4.00	1.25	10.10	6309	6309	F2

**BEARING LUBRICATION:** The bearings come lubricated with Mobil Polyrex EM Polyurea Grease. It is recommended that you add some additional lubrication when the motor is installed.

Three options (brands) for suitable lubrication include, but are not limited to, the following:

- 1.) Mobil Polyrex EM
- 2.) Citco Polyurea MP
- 3.) Conoco Phillips Polytac EP



**Electrical Helper.org**

For All Your Electric Needs Since 1928

411 N Platte Ave. York, NE. 68467

AC-DC MOTORS :: SALES & SERVICE  
REWINDING :: CUSTOM CONTROL PANEL

Kelly MacMillan  
Office Ph: 888-226-4917

Fax: 888-226-4917

Cell: 402-679-1579

E-Mail: [kelly@electricalhelper.com](mailto:kelly@electricalhelper.com)





North American Electric, Inc.

**OWP254T-5-8**

**OIL WELL PUMP MOTOR**

**HIGH TORQUE / HIGH SLIP (5 - 8%)**

**TOTALLY ENCLOSED FAN COOLED**

**INVERTER DUTY 10:1 CONSTANT TORQUE - NEMA MG1 PART 31**

Factory Certified for T2B Class I, Division II, Groups A,B,C & D and Class II, Division II, Groups F & G

**PERFORMANCE DATA**

HP	RPM	Frame	Voltage	Frequency (Hz)	Full Load S.F.	Insulation Class	NEMA Design	Slip (%)	NEMA Code	Enclosure Type	IP Rating	Max. Ambient
5	855	254T	230/460/796	60	1.15	F	D	5.0	J	TEFC	55	40° C

Amps (460V)		Efficiency (%)				Power Factor			Torque (ft-lb)			DE Bearing	DE Bearing	Connection	Weight (lbs.)
FLA	LRA	100%	75%	50%	Min.	100%	75%	50%	FLT	LRT %	BDT %				
9.0	46.0	81.5	81.0	78.0	78.5	0.65	0.55	0.42	31.5	290	300	6309	6309	12 Lead 2Δ/Δ/Y	191

**NAME PLATE**

<b>North American Electric, Inc.</b>						<b>OIL WELL PUMP MOTOR</b>							
<b>INVERTER DUTY 10:1 CONSTANT TORQUE</b>						<b>NEMA DESIGN D HIGH TORQUE/HIGH SLIP (5-8%)</b>							
CAT NO:		OWP254T-5-8		HP	5	Hz	60	PHASE	3				
VOLTS	230/460/796		FLA	9.0		IP RATING	55						
RPM	855		POWER FACTOR	0.65		DESIGN	D						
FRAME	254T		NEMA NOM EFF	81.5		CODE	J						
DRIVE END BEARING	6309		NEMA MIN EFF	78.5		S.F.	1.15						
OPP DRIVE END BEARING	6309		MAX AMB	40° C		INS CLASS	F						
ENCL	TEFC		RATING	CONT	SER								
MOTOR WEIGHT	191	LBS	CONNECTION	12 Lead 2Δ/Δ/Y		LUB:	Mobil Polyrex EM						
Designed Specifically for use on Oil Well Pumping Units Hernando, Mississippi												CC 082A	
						<b>CONNECTION DIAGRAMS</b>							
						<b>230V</b> 							
						<b>460V</b> 							
						<b>796V</b> 							

**APPLICATIONS:**

Designed Specifically for use on Oil Well Pumping Units. Suitable for use on Variable Frequency Drives (VFDs).



**Electrical Helper.org**

For All Your Electric Needs Since 1928

411 N Platte Ave. York, NE. 68467

**AC-DC MOTORS :: SALES & SERVICE  
REWINDING :: CUSTOM CONTROL PANEL**

Kelly MacMillan  
Office Ph: 888-226-4917  
Fax: 888-226-4917  
Cell: 402-679-1579  
E-Mail: [kelly@electricalhelper.com](mailto:kelly@electricalhelper.com)

