

OWP286T-15-8

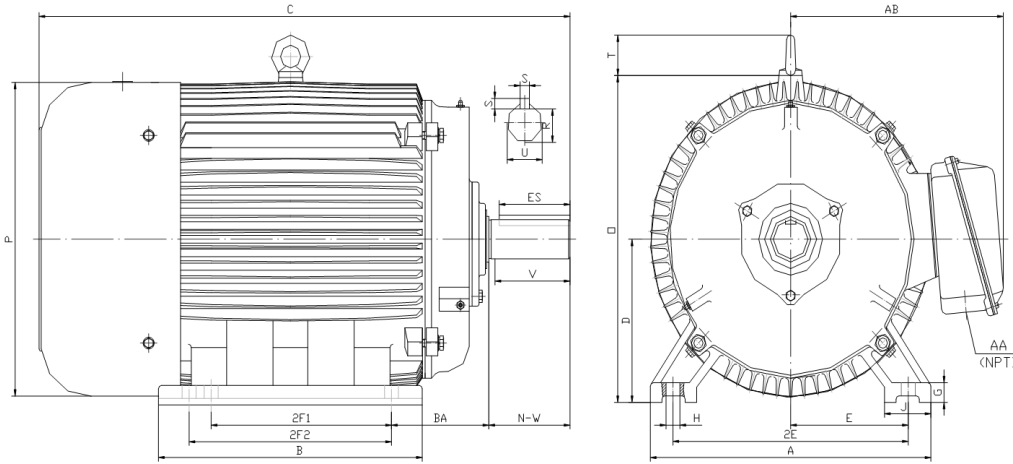
OIL WELL PUMP MOTOR

HIGH TORQUE / HIGH SLIP (5 - 8%)

TOTALLY ENCLOSED FAN COOLED

INVERTER DUTY 10:1 CONSTANT TORQUE - NEMA MG1 PART 31

Factory Certified for T2B Class I, Division II, Groups A,B,C & D and Class II, Division II, Groups F & G



DIMENSIONS

HP	RPM	Frame	MOUNTING														
			A	B	C	D	G	H	J	E	2E	2F1	2F2	O	P	T	BA
15	855	286T	14.00	13.20	28.10	7.00	0.85	0.53	2.75	5.50	11.00	9.50	11.00	14.50	14.00	2.20	4.75

Shaft Extension, Key Set						Conduit Box		Bearings		Mount
U	V	R	S	ES	N-W	AA	AB	DE	ODE	
1.875	4.38	1.591	0.500	3.28	4.62	1.50	11.30	6311	6311	F2

BEARING LUBRICATION: The bearings come lubricated with Mobil Polyrex EM Polyurea Grease. It is recommended that you add some additional lubrication when the motor is installed.

Three options (brands) for suitable lubrication include, but are not limited to, the following:

- 1.) Mobil Polyrex EM
- 2.) Citco Polyurea MP
- 3.) Conoco Phillips Polytac EP



Electrical Helper.org

For All Your Electric Needs Since 1928
411 N Platte Ave. York, NE. 68467

**AC-DC MOTORS :: SALES & SERVICE
REWINDING :: CUSTOM CONTROL PANEL**

Kelly MacMillan
Office Ph: 888-226-4917
Fax: 888-226-4917
Cell: 402-679-1579
E-Mail: kelly@electricalhelper.com





OWP286T-15-8

OIL WELL PUMP MOTOR
HIGH TORQUE / HIGH SLIP (5 - 8%)
TOTALLY ENCLOSED FAN COOLED
INVERTER DUTY 10:1 CONSTANT TORQUE - NEMA MG1 PART 31
 Factory Certified for T2B Class I, Division II, Groups A,B,C & D and Class II, Division II, Groups F & G

PERFORMANCE DATA

HP	RPM	Frame	Voltage	Frequency (Hz)	Full Load S.F.	Insulation Class	NEMA Design	Slip (%)	NEMA Code	Enclosure Type	IP Rating	Max. Ambient
15	855	286T	230/460/796	60	1.15	F	D	5.0	G	TEFC	55	40° C

Amps (460V)		Efficiency (%)				Power Factor			Torque (ft-lb)			DE Bearing	DE Bearing	Connection	Weight (lbs.)
FLA	LRA	100%	75%	50%	Min.	100%	75%	50%	FLT	LRT %	BDT %				
23.5	116.0	85.5	86.5	85.0	82.5	0.69	0.60	0.47	92.0	290	300	6311	6311	12 Lead 2Δ/Δ/Y	337

NAME PLATE

North American Electric, Inc. OIL WELL PUMP MOTOR INVERTER DUTY 10:1 CONSTANT TORQUE NEMA DESIGN D HIGH TORQUE/HIGH SLIP (5-8%)						CONNECTION DIAGRAMS 230V 			
CAT NO:	OWP286T-15-8	HP	15	Hz	60	PHASE	3		
VOLTS	230/460/796	FLA	23.5		IP RATING	55			
RPM	855	POWER FACTOR	0.69		DESIGN	D			
FRAME	286T	NEMA NOM EFF	85.5		CODE	G			
DRIVE END BEARING	6311	NEMA MIN EFF	82.5		S.F.	1.15			
OPP DRIVE END BEARING	6311	MAX AMB	40° C		INS CLASS	F			
ENCL	TEFC	RATING	CONT	SER					
MOTOR WEIGHT	337 LBS	CONNECTION	12 Lead 2Δ/Δ/Y		LUB:	Mobil Polyrex EM			
Designed Specifically for use on Oil Well Pumping Units Hernando, Mississippi CC 082A						460V 			
						796V 			

APPLICATIONS:

Designed Specifically for use on Oil Well Pumping Units. Suitable for use on Variable Frequency Drives (VFDs).



Electrical Helper.org
 For All Your Electric Needs Since 1928
 411 N Platte Ave. York, NE. 68467

AC-DC MOTORS :: SALES & SERVICE
REWINDING :: CUSTOM CONTROL PANEL

Kelly MacMillan
 Office Ph: 888-226-4917
 Fax: 888-226-4917
 Cell: 402-679-1579
 E-Mail: kelly@electricalhelper.com

