



North American Electric, Inc.

OWP324T-20-8

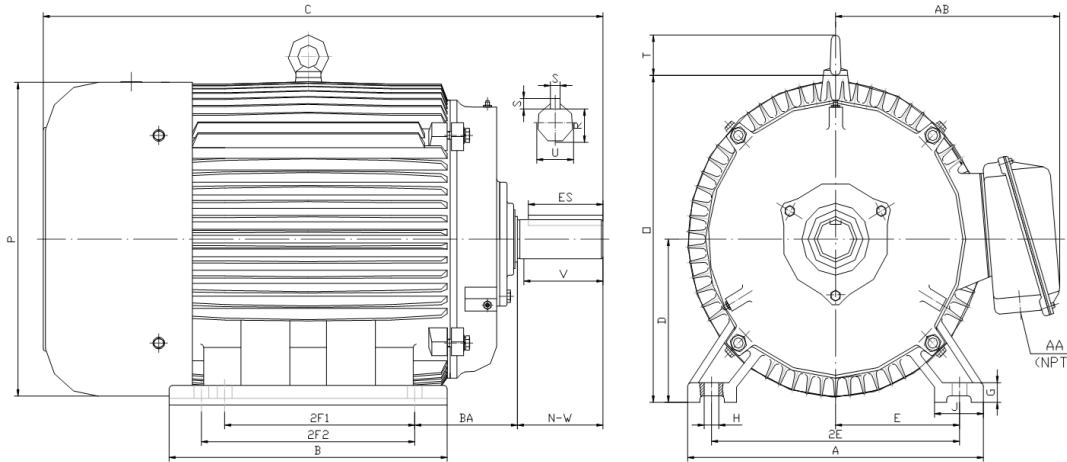
OIL WELL PUMP MOTOR

HIGH TORQUE / HIGH SLIP (5 - 8%)

TOTALLY ENCLOSED FAN COOLED

INVERTER DUTY 10:1 CONSTANT TORQUE - NEMA MG1 PART 31

Factory Certified for T2B Class I, Division II, Groups A,B,C & D and Class II, Division II, Groups F & G



HP	RPM	Frame	MOUNTING														
			A	B	C	D	G	H	J	E	2E	2F1	2F2	O	P	T	BA
20	855	324T	15.50	13.20	29.80	8.00	1.00	0.66	2.75	6.25	12.50	10.50	NA	15.90	15.70	2.60	5.25

Shaft Extension, Key Set						Conduit Box		Bearings		Mount
U	V	R	S	ES	N-W	AA	AB	DE	ODE	
2.125	5.00	1.845	0.500	3.91	5.25	2.00	12.30	6312	6312	F2

BEARING LUBRICATION: The bearings come lubricated with Mobil Polyrex EM Polyurea Grease. It is recommended that you add some additional lubrication when the motor is installed.

Three options (brands) for suitable lubrication include, but are not limited to, the following:

- 1.) Mobil Polyrex EM
- 2.) Citco Polyurea MP
- 3.) Conoco Phillips Polytac EP



Electrical Helper.org

For All Your Electric Needs Since 1928
411 N Platte Ave. York, NE. 68467

**AC-DC MOTORS :: SALES & SERVICE
REWINDING :: CUSTOM CONTROL PANEL**

Kelly MacMillan
Office Ph: 888-226-4917
Fax: 888-226-4917
Cell: 402-679-1579
E-Mail: kelly@electricalhelper.com





North American Electric, Inc. OWP324T-20-8

OIL WELL PUMP MOTOR

HIGH TORQUE / HIGH SLIP (5 - 8%)

TOTALLY ENCLOSED FAN COOLED

INVERTER DUTY 10:1 CONSTANT TORQUE - NEMA MG1 PART 31

Factory Certified for T2B Class I, Division II, Groups A,B,C & D and Class II, Division II, Groups F & G

PERFORMANCE DATA

HP	RPM	Frame	Voltage	Frequency (Hz)	Full Load S.F.	Insulation Class	NEMA Design	Slip (%)	NEMA Code	Enclosure Type	IP Rating	Max. Ambient
20	855	324T	230/460/796		1.15	F	D	5.0	G	TEFC	55	40° C

Amps (460V)		Efficiency (%)				Power Factor			Torque (ft-lb)			DE Bearing	DE Bearing	Connection	Weight (lbs.)
FLA	LRA	100%	75%	50%	Min.	100%	75%	50%	FLT	LRT %	BDT %				
31.0	145.0	87.5	87.5	86.5	85.5	0.70	0.62	0.49	123.5	290	310	6312	6312	12 Lead 2Δ/Δ/Y	451

NAME PLATE

North American Electric, Inc. OIL WELL PUMP MOTOR INVERTER DUTY 10:1 CONSTANT TORQUE NEMA DESIGN D HIGH TORQUE/HIGH SLIP (5-8%)						CONNECTION DIAGRAMS 230V 				
CAT NO:	OWP324T-20-8	HP	20	Hz	60	PHASE	3			
VOLTS	230/460/796	FLA	31.0	IP RATING	55					
RPM	855	POWER FACTOR	0.70	DESIGN	D					
FRAME	324T	NEMA NOM EFF	87.5	CODE	G					
DRIVE END BEARING	6312	NEMA MIN EFF	85.5	S.F.	1.15					
OPP DRIVE END BEARING	6312	MAX AMB	40° C	INS CLASS	F					
ENCL	TEFC	RATING	CONT	SER						
MOTOR WEIGHT	451 LBS	CONNECTION	12 Lead 2Δ/Δ/Y	LUB:	Mobil Polyrex EM					
Designed Specifically for use on Oil Well Pumping Units Hernando, Mississippi CC 082A						460V 				
						796V 				

APPLICATIONS:

Designed Specifically for use on Oil Well Pumping Units. Suitable for use on Variable Frequency Drives (VFDs).



Electrical Helper.org

For All Your Electric Needs Since 1928

411 N Platte Ave. York, NE. 68467

**AC-DC MOTORS :: SALES & SERVICE
REWINDING :: CUSTOM CONTROL PANEL**

Kelly MacMillan

Office Ph: 888-226-4917

Fax: 888-226-4917

Cell: 402-679-1579

E-Mail: kelly@electricalhelper.com

