



OWP365T-40-6

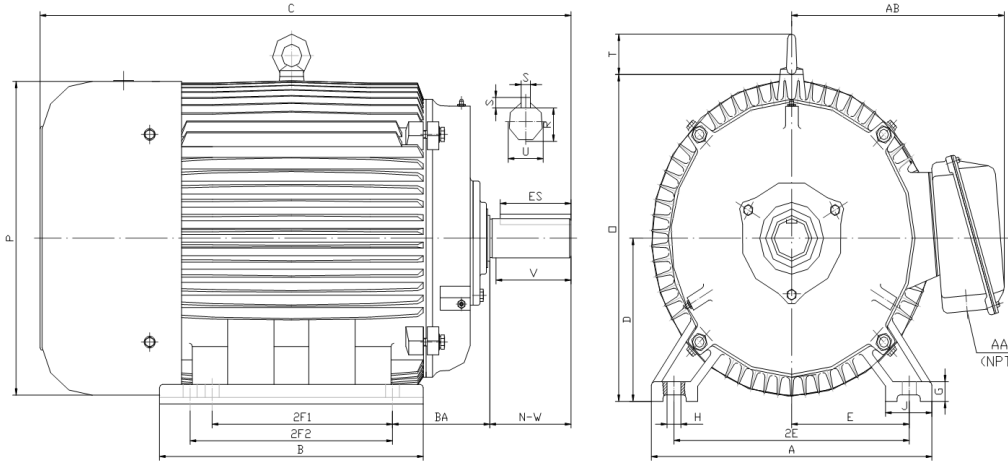
OIL WELL PUMP MOTOR

HIGH TORQUE / HIGH SLIP (5 - 8%)

TOTALLY ENCLOSED FAN COOLED

INVERTER DUTY 10:1 CONSTANT TORQUE - NEMA MG1 PART 31

Factory Certified for T2B Class I, Division II, Groups A,B,C & D and Class II, Division II, Groups F & G



DIMENSIONS

HP	RPM	Frame	MOUNTING														
			A	B	C	D	G	H	J	E	2E	2F1	2F2	O	P	T	BA
40	1200	365T	17.10	15.40	33.50	9.00	1.15	0.66	2.95	7.00	14.00	11.25	12.25	18.10	17.60	2.60	5.88

Shaft Extension, Key Set						Conduit Box		Bearings		Mount
U	V	R	S	ES	N-W	AA	AB	DE	ODE	
2.375	5.62	2.021	0.625	4.28	5.88	3.00	14.60	6313	6313	F2

BEARING LUBRICATION: The bearings come lubricated with Mobil Polyrex EM Polyurea Grease. It is recommended that you add some additional lubrication when the motor is installed.

Three options (brands) for suitable lubrication include, but are not limited to, the following:

- 1.) Mobil Polyrex EM
- 2.) Citco Polyurea MP
- 3.) Conoco Phillips Polytac EP



Electrical Helper.org

For All Your Electric Needs Since 1928
411 N Platte Ave. York, NE. 68467

**AC-DC MOTORS :: SALES & SERVICE
REWINDING :: CUSTOM CONTROL PANEL**

Kelly MacMillan
Office Ph: 888-226-4917
Fax: 888-226-4917
Cell: 402-679-1579
E-Mail: kelly@electricalhelper.com





OWP365T-40-6

**OIL WELL PUMP MOTOR
HIGH TORQUE / HIGH SLIP (5 - 8%)
TOTALLY ENCLOSED FAN COOLED
INVERTER DUTY 10:1 CONSTANT TORQUE - NEMA MG1 PART 31**

Factory Certified for T2B Class I, Division II, Groups A,B,C & D and Class II, Division II, Groups F & G

PERFORMANCE DATA

HP	RPM	Frame	Voltage	Frequency (Hz)	Full Load S.F.	Insulation Class	NEMA Design	Slip (%)	NEMA Code	Enclosure Type	IP Rating	Max. Ambient
40	1135	365T	230/460/796	60	1.15	F	D	5.4	G	TEFC	55	40° C

Amps (460V)		Efficiency (%)				Power Factor			Torque (ft-lb)			DE Bearing	DE Bearing	Connection	Weight (lbs.)
FLA	LRA	100%	75%	50%	Min.	100%	75%	50%	FLT	LRT %	BDT %				
49.0	290.0	87.5	87.5	87.0	85.5	0.88	0.77	0.62	185.2	275	290	6313	6313	12 Lead 2Δ/Δ/Y	733

NAME PLATE

North American Electric, Inc.						OIL WELL PUMP MOTOR					
INVERTER DUTY 10:1 CONSTANT TORQUE						NEMA DESIGN D HIGH TORQUE/HIGH SLIP (5-8%)					
CAT NO:		OWP365T-40-6		HP	40	Hz	60	PHASE	3		
VOLTS		230/460/796		FLA		49.0		IP RATING		55	
RPM	1135		POWER FACTOR		0.88		DESIGN		D		
FRAME	365T		NEMA NOM EFF		87.5		CODE		G		
DRIVE END BEARING	6313		NEMA MIN EFF		85.5		S.F.		1.15		
OPP DRIVE END BEARING	6313		MAX AMB		40° C		INS CLASS		F		
ENCL	TEFC		RATING	CONT		SER					
MOTOR WEIGHT	733 LBS		CONNECTION		12 Lead 2Δ/Δ/Y		LUB: Mobil Polyrex EM				
Designed Specifically for use on Oil Well Pumping Units Hernando, Mississippi						CC 082A					
						CONNECTION DIAGRAMS					
						230V 					
						460V 					
						796V 					

APPLICATIONS:

Designed Specifically for use on Oil Well Pumping Units. Suitable for use on Variable Frequency Drives (VFDs).



Electrical Helper.org
For All Your Electric Needs Since 1928
411 N Platte Ave. York, NE. 68467

**AC-DC MOTORS :: SALES & SERVICE
REWINDING :: CUSTOM CONTROL PANEL**

Kelly MacMillan
Office Ph: 888-226-4917
Fax: 888-226-4917
Cell: 402-679-1579
E-Mail: kelly@electricalhelper.com

