

**OWP449T-150-6**

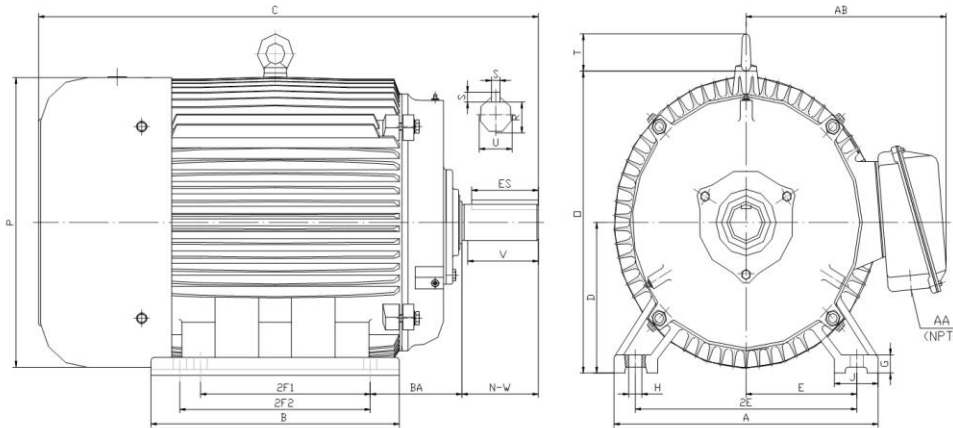
**OIL WELL PUMP MOTOR**

**HIGH TORQUE / HIGH SLIP (5 - 8%)**

**TOTALLY ENCLOSED FAN COOLED**

**INVERTER DUTY 10:1 CONSTANT TORQUE - NEMA MG1 PART 31**

Factory Certified for T2B Class I, Division II, Groups A,B,C & D and Class II, Division II, Groups F & G



**DIMENSIONS**

HP	RPM	Frame	MOUNTING														
			A	B	C	D	G	H	J	E	2E	2F1	2F2	O	P	T	BA
150	1200	449T	21.70	31.40	52.8	11.00	1.35	0.81	3.35	9.00	18.0	20.00	25.00	23.0	23.40	3.0	7.50

Shaft Extension, Key Set						Conduit Box		Bearings		Mount
U	V	R	S	ES	N-W	AA	AB	DE	ODE	
3.375	8.25	2.88	0.875	6.91	8.5	3	20	NU319	6318	F2

**BEARING LUBRICATION:** The bearings come lubricated with Mobil Polyrex EM Polyurea Grease. It is recommended that you add some additional lubrication when the motor is installed.

Three options (brands) for suitable lubrication include, but are not limited to, the following:

- 1.) Mobil Polyrex EM
- 2.) Citco Polyurea MP
- 3.) Conoco Phillips Polytac EP



**Electrical Helper.org**

For All Your Electric Needs Since 1928

411 N Platte Ave. York, NE. 68467

**AC-DC MOTORS :: SALES & SERVICE  
REWINDING :: CUSTOM CONTROL PANEL**

**Kelly MacMillan**  
Office Ph: 888-226-4917  
Fax: 888-226-4917  
Cell: 402-679-1579  
E-Mail: [kelly@electricalhelper.com](mailto:kelly@electricalhelper.com)





**OWP449T-150-6**

**OIL WELL PUMP MOTOR  
HIGH TORQUE / HIGH SLIP (5 - 8%)  
TOTALLY ENCLOSED FAN COOLED**

**INVERTER DUTY 10:1 CONSTANT TORQUE - NEMA MG1 PART 31**

Factory Certified for T2B Class I, Division II, Groups A,B,C & D and Class II, Division II, Groups F & G

**PERFORMANCE DATA**

HP	RPM	Frame	Voltage	Frequency (Hz)	Full Load S.F.	Insulation Class	NEMA Design	Slip (%)	NEMA Code	Enclosure Type	IP Rating	Max. Ambient
150	1140	449T	460/796	60	1.15	F	D	5.0	G	TEFC	55	40° C

Amps (460V)		Efficiency (%)					Power Factor			Torque (ft-lb)			DE Bearing	DE Bearing	Connection	Weight (lbs.)
FLA	LRA	100%	75%	50%	Min.	100%	75%	50%	FLT	LRT %	BDT %					
180.0	1085	93.2	92.8	93.5	91.7	0.88	0.82	0.70	690.0	275	300	NU319	6318	6 Lead Δ/Y	1980	

**NAME PLATE**

		<b>OIL WELL PUMP MOTOR</b>				<b>CONNECTION DIAGRAMS</b>	
<b>INVERTER DUTY 10:1 CONSTANT TORQUE</b>				<b>NEMA DESIGN D HIGH TORQUE/HIGH SLIP (5-8%)</b>			
CAT NO:	OWP449T-150-6	HP	150	Hz	60	PHASE	3
VOLTS	460/796	FLA	180.0	IP RATING	55		
RPM	1140	POWER FACTOR	0.88		DESIGN	D	
FRAME	449T	NEMA NOM EFF	93.2		CODE	G	
DRIVE END BEARING	NU319	NEMA MIN EFF	91.7		S.F.	1.15	
OPP DRIVE END BEARING	6318	MAX AMB	40° C		INS CLASS	F	
ENCL	TEFC	RATING	CONT	SER			
MOTOR WEIGHT	1980 LBS	CONNECTION	6 Lead Δ/Y		LUB:	Mobil Polyrex EM	
Designed Specifically for use on Oil Well Pumping Units Hernando, Mississippi							
						CC 082A	
						<b>460V</b> 	
						<b>796V</b> 	

**APPLICATIONS:**

Designed Specifically for use on Oil Well Pumping Units. Suitable for use on Variable Frequency Drives (VFDs).



**Electrical Helper.org**

For All Your Electric Needs Since 1928  
411 N Platte Ave. York, NE. 68467

**AC-DC MOTORS :: SALES & SERVICE  
REWINDING :: CUSTOM CONTROL PANEL**

**Kelly MacMillan**  
Office Ph: 888-226-4917  
Fax: 888-226-4917  
Cell: 402-679-1579  
E-Mail: [kelly@electricalhelper.com](mailto:kelly@electricalhelper.com)

