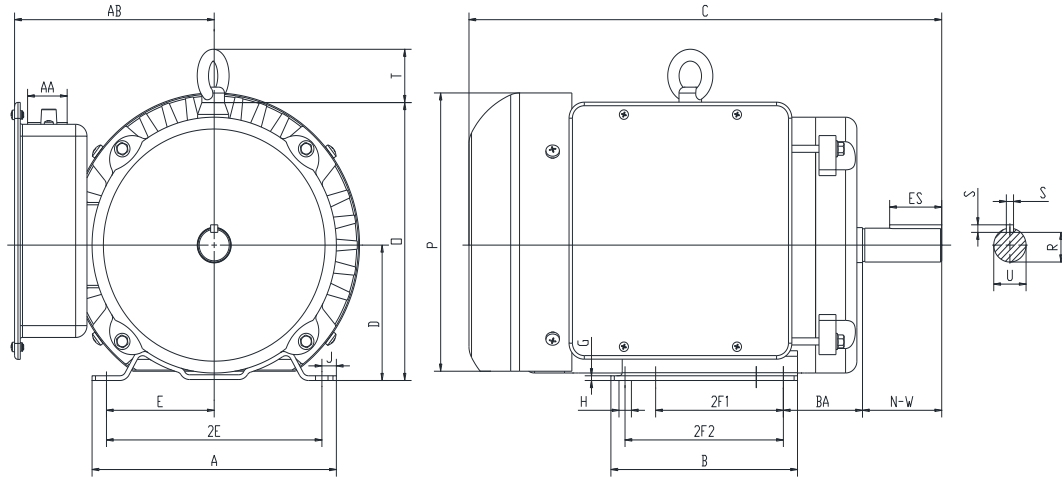




F184T5S4C-MO

FARM DUTY ELECTRIC MOTOR
HIGH STARTING TORQUE - MANUAL OVERLOAD
SINGLE PHASE - CAPACITOR START / CAPACITOR RUN
ROLLED STEEL CONSTRUCTION
TOTALLY ENCLOSED FAN COOLED



DIMENSIONS

HP	RPM	Frame	MOUNTING														
			A	B	C	D	G	H	J	E	2E	2F1	2F2	O	P	T	BA
5	1800	184T	8.5	6.5	16.9	4.5	0.16	0.41	0.5	3.75	7.5	4.5	5.5	9.1	9.3	1.5	2.75

Shaft Extension, Key Set						Conduit Box		Bearings		Mount
U	V	R	S	ES	N-W	AA	AB	DE	ODE	
1.125	NA	0.986	0.25	1.78	2.75	1.1	7	6206-2RZC3	6205-2RZC3	F1

BEARING LUBRICATION: The bearings come lubricated with Mobil Polyrex EM Polyurea Grease.



Electrical Helper.org

For All Your Electric Needs Since 1928
 411 N Platte Ave. York, NE. 68467

AC-DC MOTORS :: SALES & SERVICE
REWINDING :: CUSTOM CONTROL PANEL

Kelly MacMillan
 Office Ph: 888-226-4917
 Fax: 888-226-4917
 Cell: 402-679-1579
 E-Mail: kelly@electricalhelper.com





F184T5S4C-MO

FARM DUTY ELECTRIC MOTOR
HIGH STARTING TORQUE - MANUAL OVERLOAD
SINGLE PHASE - CAPACITOR START / CAPACITOR RUN
ROLLED STEEL CONSTRUCTION
TOTALLY ENCLOSED FAN COOLED

PERFORMANCE DATA

HP	RPM	Frame	Voltage	Frequency (Hz)	Full Load S.F.	Insulation Class	NEMA Design	Slip (%)	NEMA Code	Enclosure Type	IP Rating	Max. Ambient
5	1760	184T	208-230/460	60	1.15	F	L	2.2	G	TEFC	55	40 °C

Amps (230V)			Efficiency (%)			Power Factor			Torque (ft-lb)			DE Bearing	ODE Bearing	Connection	Weight (lbs.)
FLA	LRA		100%	75%	50%	100%	75%	50%	FLT	LRT %	BDT %				
19.4	128.9		87.6	85.5	84.0	0.96	0.96	0.95	15.03	245	213	6206-2RZC3	6205-2RZC3	5 Lead/P1,P2	117

NAME PLATE

FARM DUTY SINGLE PHASE AC ELECTRIC MOTOR HIGH STARTING TORQUE MANUAL OVERLOAD PROTECTION											
CAT NO: F184T5S4C-MO		FRAME 184T		PH 1		CCW 208-230V LOW VOLTAGE CW P1 — L1 — P1 P2 — — P2 T3 — — T3 T8 — — T8 T2 — — T2 T4 — L2 — T4 T5 — — T5					
HZ 60	S.F. 1.15	ENCL TEFC	IP 55								
HP 5	RPM 1760	DUTY CONT	DES L								
VOLT 208-230/460		AMB 40 °C	INS F								
FLA 21.5-19.4/9.7		DE BRG 6206-2RZC3									
CODE G	P.F. 0.96	ODE BRG 6205-2RZC3									
EFF 87.6		LBS 117									
CONNECTION 5 Lead/P1,P2		SER NO.									
General purpose use on equipment and farm duty machinery requiring high starting torques.											

APPLICATIONS:

General purpose use on pumps, fans, conveyors, poultry equipment, air compressors and other farm duty machinery requiring high starting torques.



Electrical Helper.org

For All Your Electric Needs Since 1928
 411 N Platte Ave. York, NE. 68467

AC-DC MOTORS :: SALES & SERVICE
REWINDING :: CUSTOM CONTROL PANEL

Kelly MacMillan
 Office Ph: 888-226-4917
 Fax: 888-226-4917
 Cell: 402-679-1579
 E-Mail: kelly@electricalhelper.com

