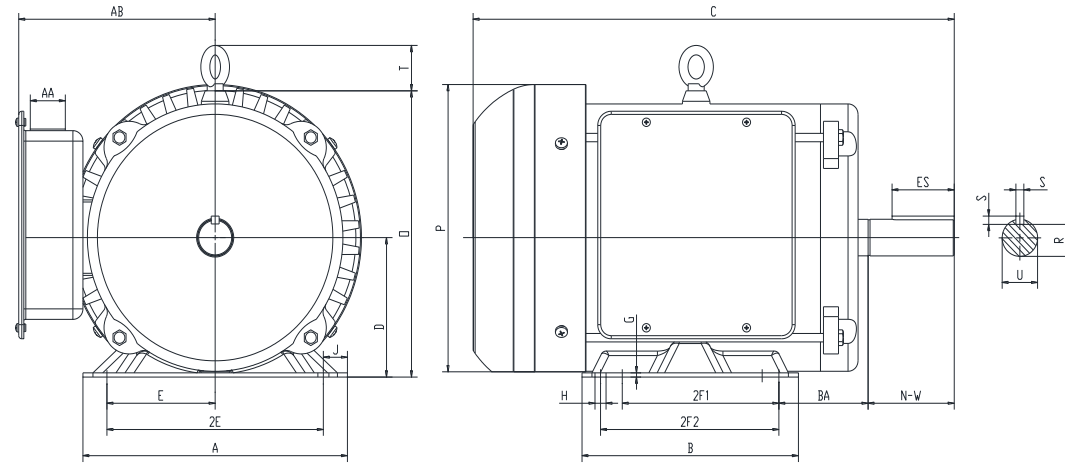




F213T7.5S4C

FARM DUTY ELECTRIC MOTOR
HIGH STARTING TORQUE - MANUAL OVERLOAD
SINGLE PHASE - CAPACITOR START / CAPACITOR RUN
ROLLED STEEL CONSTRUCTION
TOTALLY ENCLOSED FAN COOLED



DIMENSIONS

HP	RPM	Frame	MOUNTING														
			A	B	C	D	G	H	J	E	2E	2F1	2F2	O	P	T	BA
7.5	1800	213T	10.4	8.5	19	5.25	0.16	0.41	0.95	4.25	8.5	5.5	7	10.6	10.8	1.7	3.5

Shaft Extension, Key Set						Conduit Box		Bearings		Mount
U	V	R	S	ES	N-W	AA	AB	DE	ODE	
1.375	NA	1.201	0.312	2.41	3.38	1.1	7.8	6307-2RZC3	6206-2RZC3	F1

BEARING LUBRICATION: The bearings come lubricated with Mobil Polyrex EM Polyurea Grease.



Electrical Helper.org

For All Your Electric Needs Since 1928
 411 N Platte Ave. York, NE. 68467

AC-DC MOTORS :: SALES & SERVICE
REWINDING :: CUSTOM CONTROL PANEL

Kelly MacMillan
 Office Ph: 888-226-4917
 Fax: 888-226-4917
 Cell: 402-679-1579
 E-Mail: kelly@electricalhelper.com





F213T7.5S4C

FARM DUTY ELECTRIC MOTOR
HIGH STARTING TORQUE - MANUAL OVERLOAD
SINGLE PHASE - CAPACITOR START / CAPACITOR RUN
ROLLED STEEL CONSTRUCTION
TOTALLY ENCLOSED FAN COOLED

PERFORMANCE DATA

HP	RPM	Frame	Voltage	Frequency (Hz)	Full Load S.F.	Insulation Class	NEMA Design	Slip (%)	NEMA Code	Enclosure Type	IP Rating	Max. Ambient
7.5	1770	213T	208-230/460	60	1.15	F	L	1.7	H	TEFC	55	40 °C

Amps (230V)		Efficiency (%)			Power Factor			Torque (ft-lb)			DE Bearing	ODE Bearing	Connection	Weight (lbs.)
FLA	LRA	100%	75%	50%	100%	75%	50%	FLT	LRT %	BDT %				
28	215.6	87.0	88.3	87.6	0.97	0.97	0.96	21.96	328	256	6307-2RZC3	6206-2RZC3	6 Lead	143

NAME PLATE

FARM DUTY SINGLE PHASE AC ELECTRIC MOTOR HIGH STARTING TORQUE											
CAT NO:		F213T7.5S4C		FRAME	213T	PH	1	208-230V LOW VOLTAGE		CCW CW	
HZ	60	S.F.	1.15	ENCL	TEFC	IP	55	T1	L1	T1	T3
HP	7.5	RPM	1770	DUTY	CONT	DES	L	T8		T5	T2
VOLT	208-230/460		AMB	40 °C	INS	F		T2	L2	T4	T8
FLA	30.5-28/14		DE BRG	6307-2RZC3			460V HIGH VOLTAGE		CCW CW		
CODE	H	P.F.	0.97	ODE BRG	6206-2RZC3			T1	L1	T1	T3
EFF	87.0			LBS	143			T8		T5	T2
CONNECTION	6 Lead		SER NO.				T2		T4	T4	T8
General purpose use on equipment and farm duty machinery requiring high starting torques. <div style="display: flex; justify-content: space-around; align-items: center;"> </div> <p style="text-align: center;">Hernando, Mississippi</p>											

APPLICATIONS:

General purpose use on pumps, fans, conveyors, poultry equipment, air compressors and other farm duty machinery requiring high starting torques.



Electrical Helper.org

For All Your Electric Needs Since 1928

411 N Platte Ave. York, NE. 68467

AC-DC MOTORS :: SALES & SERVICE
REWINDING :: CUSTOM CONTROL PANEL

Kelly MacMillan
 Office Ph: 888-226-4917

Fax: 888-226-4917

Cell: 402-679-1579

E-Mail: kelly@electricalhelper.com

